

REVISIONS F (30/11/02)

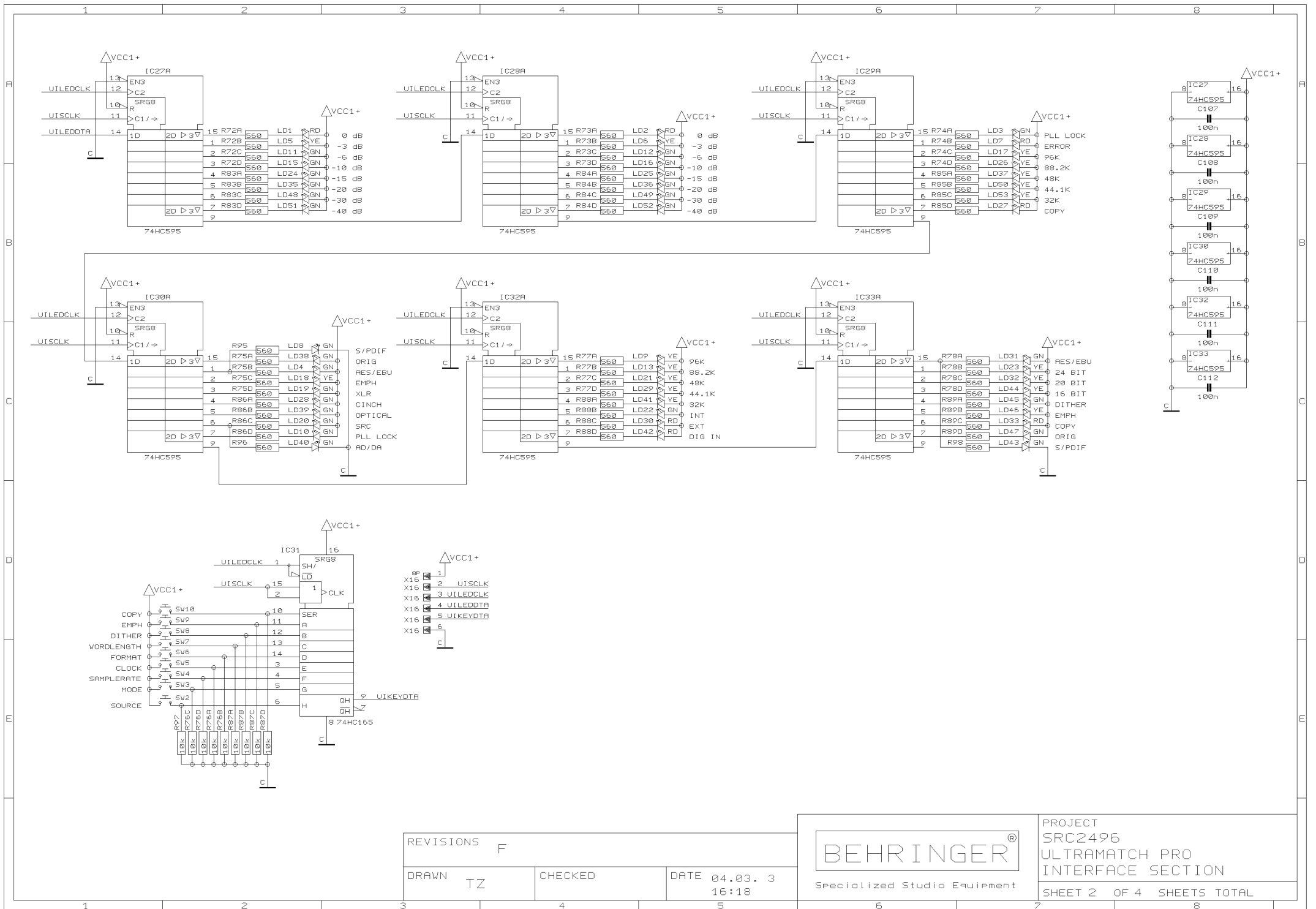
DRAWN TZ

CHECKED

DATE 04.03. 3  
16:18



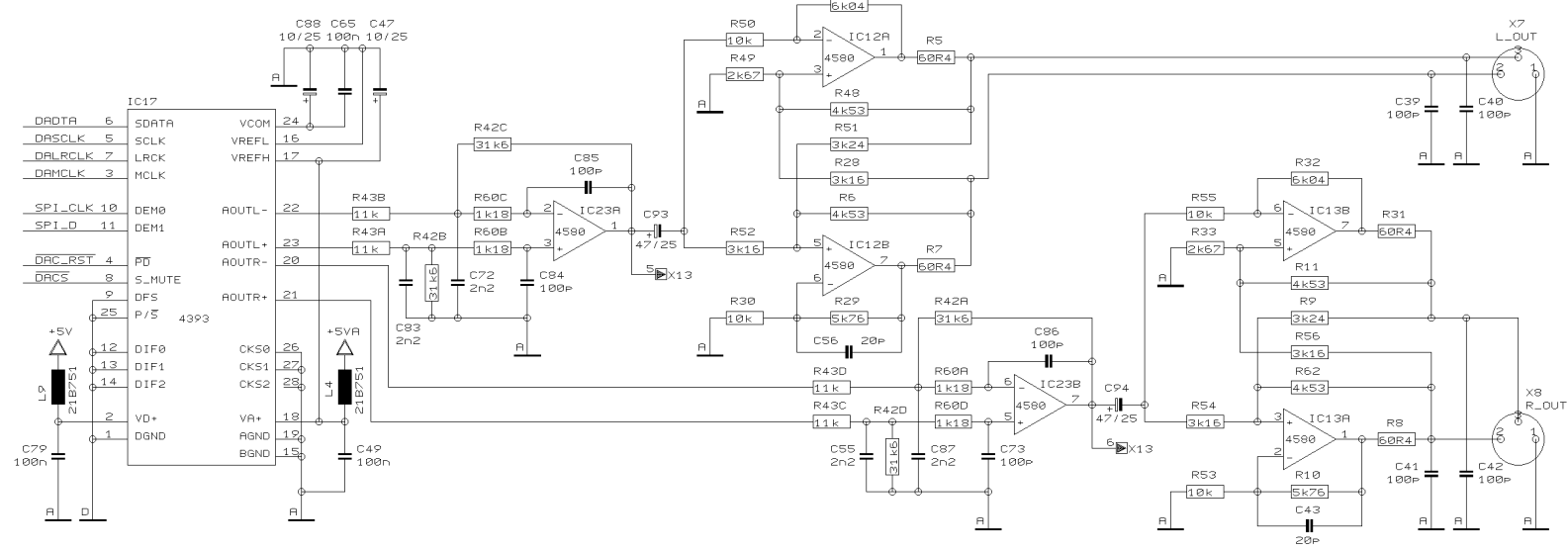
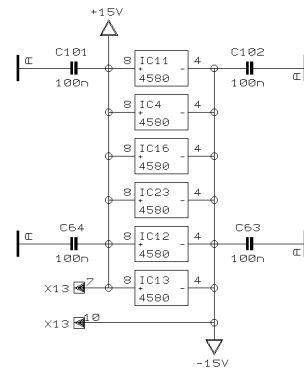
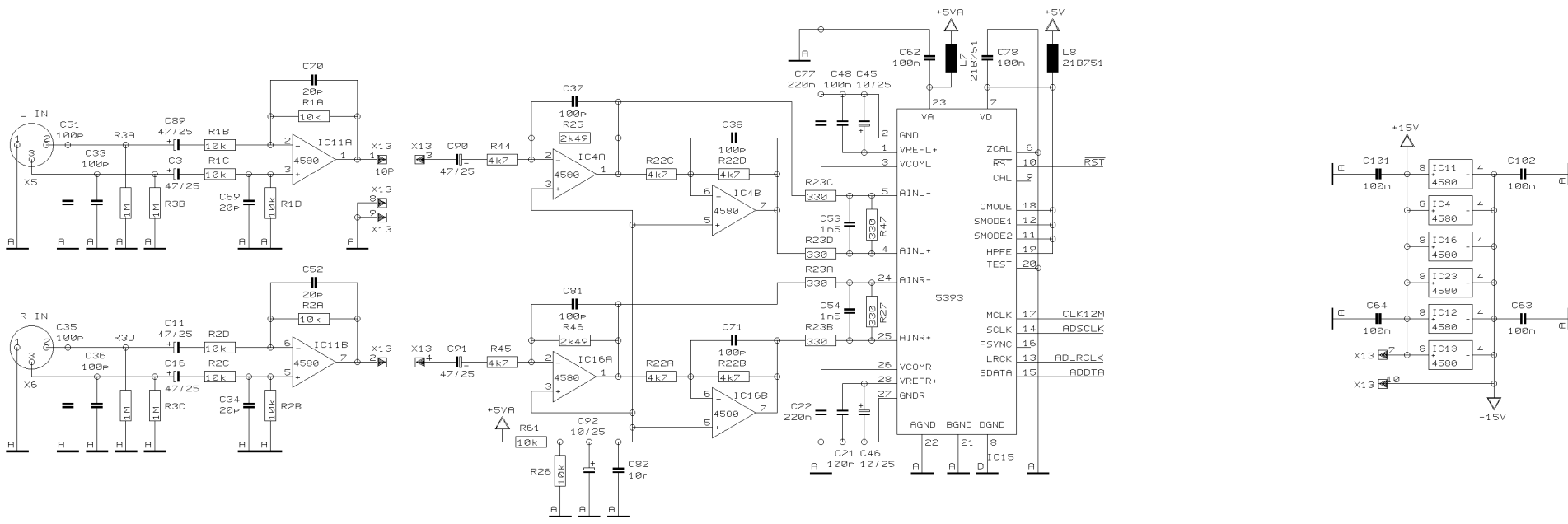
PROJECT SRC2496  
ULTRAMATCH PRO  
DIGITAL I/O & PSU  
SHEET 1 OF 4 SHEETS TOTAL



REVISIONS	F		
DRAWN	TZ	CHECKED	DATE 04.03. 3 16:18



PROJECT SRC2496  
 ULTRAMATCH PRO  
 INTERFACE SECTION  
 SHEET 2 OF 4 SHEETS TOTAL



REVISIONS	F
DRAWN	TZ
CHECKED	
DATE	04.03.3 16:18



PROJECT SRC2496  
ULTRAMATCH PRO  
ANALOG I/O SECTION  
SHEET 3 OF 4 SHEETS TOTAL

1 2 3 4 5 6 7 8

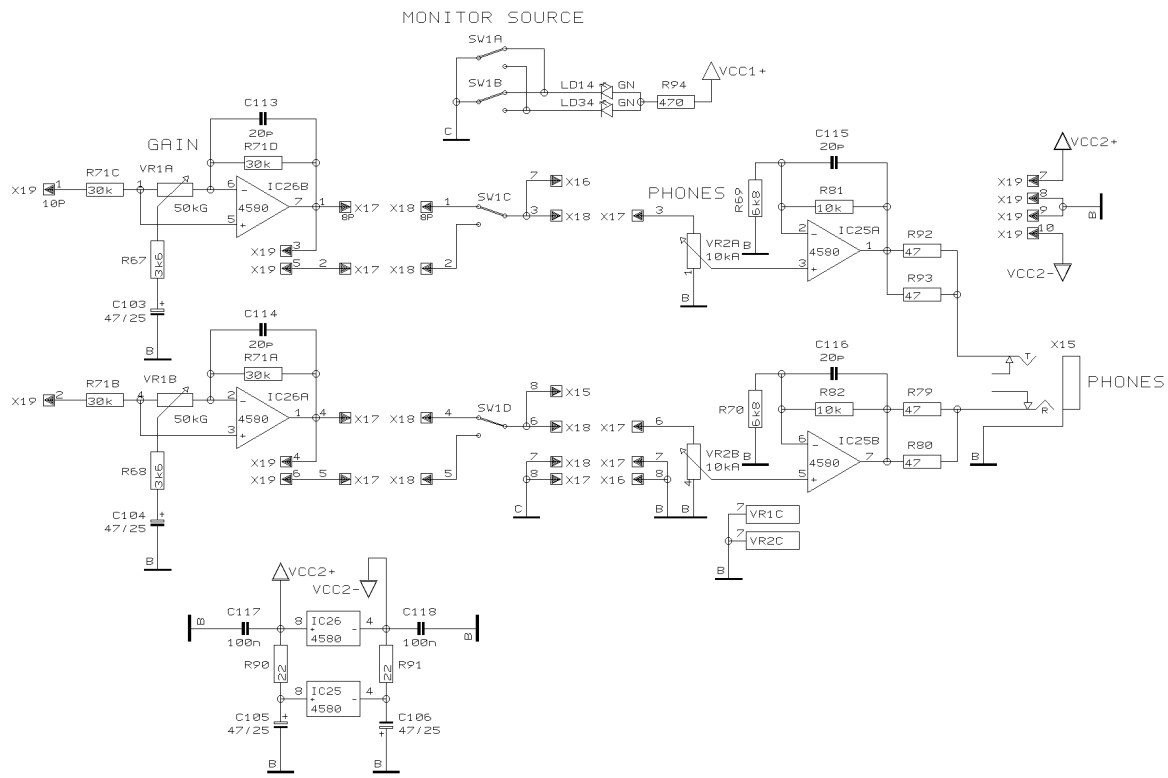
A

B

C

D

E



REVISIONS F

DRAWN TZ

CHECKED

DATE 04.03. 3  
16:18

BEHRINGER®

Specialized Studio Equipment

PROJECT SRC2496  
ULTRAMATCH PRO  
HEADPHONE SECTION

SHEET 4 OF 4 SHEETS TOTAL

1 2 3 4 5 6 7 8