



24-Bit, 96kHz Sampling Enhanced Multilevel, Delta-Sigma, Audio DIGITAL-TO-ANALOG CONVERTER

FEATURES

- 24-BIT RESOLUTION
- ANALOG PERFORMANCE ($V_{CC} = +5V$):
Dynamic Range: 106dB typ (PCM1748KE)
100dB typ (PCM1748E)
SNR: 106dB typ (PCM1748KE)
100dB typ (PCM1748E)
THD+N: 0.002% typ (PCM1748KE)
0.003% typ (PCM1748E)
Full-Scale Output: 3.1Vp-p typ
- 8x OVERSAMPLING DIGITAL FILTER:
Stopband Attenuation: -55dB
Passband Ripple: ± 0.03 dB
- SAMPLING FREQUENCY: 5kHz to 100kHz
- SYSTEM CLOCK: 256, 384, 512, 768f_s with Auto Detect
- ACCEPTS 16-, 18-, 20-, AND 24-BIT AUDIO DATA_z
- DATA FORMATS: Standard, I²S, and Left-Justified
- USER-PROGRAMMABLE MODE CONTROLS:
Digital Attenuation: 0dB to -63dB, 0.5dB/Step
Digital De-Emphasis
Digital Filter Roll-Off: Sharp or Slow
Soft Mute
Zero Flags for Each Output
- DUAL-SUPPLY OPERATION:
+5V Analog, +3.3V Digital
- 5V TOLERANT DIGITAL INPUTS
- SMALL SSOP-16 PACKAGE
- SAME PACKAGE SIZE AS SOP-8

APPLICATIONS

- A/V RECEIVERS
- DVD MOVIE PLAYERS
- DVD ADD-ON CARDS FOR HIGH-END PCs
- HDTV RECEIVERS
- CAR AUDIO SYSTEMS
- OTHER MULTICHANNEL AUDIO SYSTEMS

DESCRIPTION

The PCM1748 is a CMOS, monolithic, integrated circuit which includes stereo Digital-to-Analog Converters (DACs) and support circuitry in a small SSOP-16 package. The data converters utilize Texas Instrument's enhanced multilevel delta-sigma architecture that employs fourth-order noise shaping and 8-level amplitude quantization to achieve excellent dynamic performance and improved tolerance to clock jitter. The PCM1748 accepts industry standard audio data formats with 16- to 24-bit data, providing easy interfacing to audio DSP and decoder chips. Sampling rates up to 100kHz are supported. A full set of user-programmable functions are accessible through a 3-wire serial control port that supports register write functions.



Please be aware that an important notice concerning availability, standard warranty, and use in critical applications of Texas Instruments semiconductor products and disclaimers thereto appears at the end of this data sheet.

ABSOLUTE MAXIMUM RATINGS

Power Supply Voltage, V_{DD}	+4.0V
V_{CC}	+6.5V
Ground Voltage Differences	$\pm 0.1V$
Digital Input Voltage	-0.3V to (6.5V + 0.3V)
Input Current (except power supply)	$\pm 10mA$
Ambient Temperature Under Bias	-40°C to +125°C
Storage Temperature	-55°C to +150°C
Junction Temperature	+150°C
Lead Temperature (soldering, 5s)	+260°C
Package Temperature (IR reflow, 10s)	+235°C



ELECTROSTATIC DISCHARGE SENSITIVITY

This integrated circuit can be damaged by ESD. Texas Instruments recommends that all integrated circuits be handled with appropriate precautions. Failure to observe proper handling and installation procedures can cause damage.

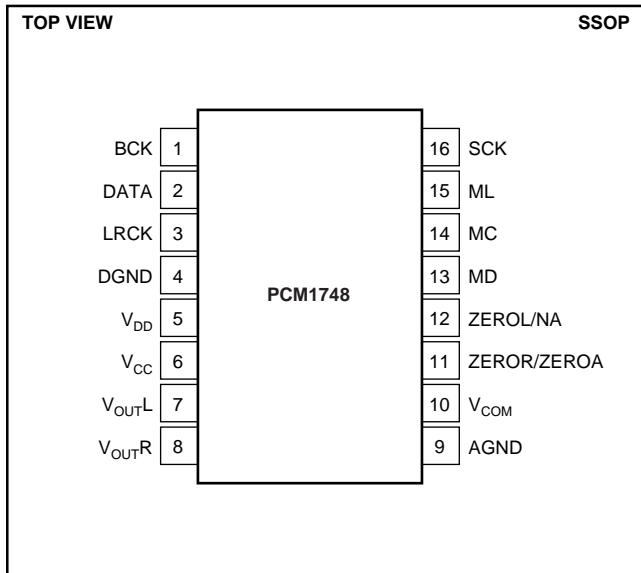
ESD damage can range from subtle performance degradation to complete device failure. Precision integrated circuits may be more susceptible to damage because very small parametric changes could cause the device not to meet its published specifications.

PACKAGE/ORDERING INFORMATION

PRODUCT	PACKAGE	PACKAGE DRAWING NUMBER	SPECIFIED TEMPERATURE RANGE	PACKAGE MARKING	ORDERING NUMBER ⁽¹⁾	TRANSPORT MEDIA
PCM1748E	SSOP-16	322	-25°C to +85°C	PCM1748E	PCM1748E	Rails
"	"	"	"	"	PCM1748E/2K	Tape and Reel
PCM1748KE	SSOP-16	322	-25°C to +85°C	PCM1748KE	PCM1748KE	Rails
"	"	"	"	"	PCM1748KE/2K	Tape and Reel

NOTE: (1) Models with a slash (/) are available only in Tape and Reel in the quantities indicated (e.g., /2K indicates 2000 devices per reel). Ordering 2000 pieces of "PCM1748E/2K" will yield a single 2000-piece Tape and Reel.

PIN CONFIGURATION



PIN ASSIGNMENTS

PIN	NAME	TYPE	FUNCTION
1	BCK	IN	Audio Data Bit Clock Input. ⁽¹⁾
2	DATA	IN	Audio Data Digital Input. ⁽¹⁾
3	LRCK	IN	L-Channel and R-Channel Audio Data Latch Enable Input. ⁽¹⁾
4	DGND	-	Digital Ground
5	V_{DD}	-	Digital Power Supply, +3.3V
6	V_{CC}	-	Analog Power Supply, +5V
7	V_{OUTL}	OUT	Analog Output for L-Channel.
8	V_{OUTR}	OUT	Analog Output for R-Channel.
9	AGND	-	Analog Ground
10	V_{COM}	-	Common Voltage Decoupling.
11	ZEROR/ ZEROA	OUT	Zero Flag Output for R-Channel/Zero Flag Output for L/R-Channel.
12	ZEROL/NA	OUT	Zero Flag Output for L-Channel/No Assign.
13	MD	IN	Mode Control Data Input. ⁽²⁾
14	MC	IN	Mode Control Clock Input. ⁽²⁾
15	ML	IN	Mode Control Latch Input. ⁽²⁾
16	SCK	IN	System Clock Input.

NOTES: (1) Schmitt-trigger input, 5V tolerant. (2) Schmitt-trigger with internal pull-down, 5V tolerant.

ELECTRICAL CHARACTERISTICS

All specifications at $T_A = +25^\circ\text{C}$, $V_{CC} = 5.0\text{V}$, $V_{DD} = 3.3\text{V}$, $f_S = 44.1\text{kHz}$, system clock = $384f_S$, and 24-bit data, unless otherwise noted.

PARAMETER	CONDITIONS	PCM1748E PCM1748KE			UNITS
		MIN	TYP	MAX	
RESOLUTION			24		Bits
DATA FORMAT Audio Data Interface Formats Audio Data Bit Length Audio Data Format Sampling Frequency (f_S) System Clock Frequency			Standard, IIS, Left-Justified 16-, 18-, 20-, 24-Bits Selectable MSB-First, Binary Two's Complement		
		5	100	256, 384, 512, $768f_S$	kHz
DIGITAL INPUT/OUTPUT Logic Family Input Logic Level V_{IH} V_{IL} Input Logic Current $I_{IH}^{(1)}$ $I_{IL}^{(1)}$ $I_{IH}^{(2)}$ $I_{IL}^{(2)}$ Output Logic Level $V_{OH}^{(3)}$ $V_{OL}^{(3)}$	$V_{IN} = V_{DD}$ $V_{IN} = 0\text{V}$ $V_{IN} = V_{DD}$ $V_{IN} = 0\text{V}$ $I_{OH} = -2\text{mA}$ $I_{OL} = +2\text{mA}$	2.0 2.4	TTL-Compatible 65	0.8 10 -10 100 -10 1.0	VDC VDC μA μA μA μA VDC VDC
DYNAMIC PERFORMANCE⁽⁴⁾ PCM1748E THD+N at $V_{OUT} = 0\text{dB}$ THD+N at $V_{OUT} = -60\text{dB}$ Dynamic Range Signal-to-Noise Ratio Channel Separation Level Linearity Error PCM1748KE THD+N at $V_{OUT} = 0\text{dB}$ THD+N at $V_{OUT} = -60\text{dB}$ Dynamic Range Signal-to-Noise Ratio Channel Separation Level Linearity Error	$f_S = 44.1\text{kHz}$ $f_S = 96\text{kHz}$ $f_S = 44.1\text{kHz}$ $f_S = 96\text{kHz}$ EIAJ, A-Weighted, $f_S = 44.1\text{kHz}$ A-Weighted, $f_S = 96\text{kHz}$ EIAJ, A-Weighted, $f_S = 44.1\text{kHz}$ A-Weighted, $f_S = 96\text{kHz}$ $f_S = 44.1\text{kHz}$ $f_S = 96\text{kHz}$ $V_{OUT} = -90\text{dB}$ $f_S = 44.1\text{kHz}$ $f_S = 96\text{kHz}$ $f_S = 44.1\text{kHz}$ $f_S = 96\text{kHz}$ EIAJ, A-Weighted, $f_S = 44.1\text{kHz}$ A-Weighted, $f_S = 96\text{kHz}$ EIAJ, A-Weighted, $f_S = 44.1\text{kHz}$ A-Weighted, $f_S = 96\text{kHz}$ $f_S = 44.1\text{kHz}$ $f_S = 96\text{kHz}$ $V_{OUT} = -90\text{dB}$	94 94 91 100 100 97	0.003 0.004 1.2 1.6 100 98 100 98 98 96 ± 0.5 0.002 0.003 0.65 0.8 106 104 106 104 103 101 ± 0.5	0.008 0.006	% % % % dB dB dB dB dB dB dB dB dB dB dB dB dB dB dB dB
DC ACCURACY Gain Error Gain Mismatch, Channel-to-Channel Bipolar Zero Error	$V_{OUT} = 0.5 V_{CC}$ at Bipolar Zero		± 1.0 ± 1.0 ± 30	± 6 ± 3 ± 60	% of FSR % of FSR mV
ANALOG OUTPUT Output Voltage Center Voltage Load Impedance	Full Scale (0dB) AC Load	5	62% of V_{CC} 50% V_{CC}		Vp-p VDC k Ω
DIGITAL FILTER PERFORMANCE Filter Characteristics 1, Sharp Roll-Off Passband Passband Stopband Passband Ripple Stopband Attenuation Stopband Attenuation	$\pm 0.03\text{dB}$ -3dB Stopband = $0.546f_S$ Stopband = $0.567f_S$	 0.546 f_S -50 -55		0.454 f_S 0.487 f_S ± 0.03	dB dB dB

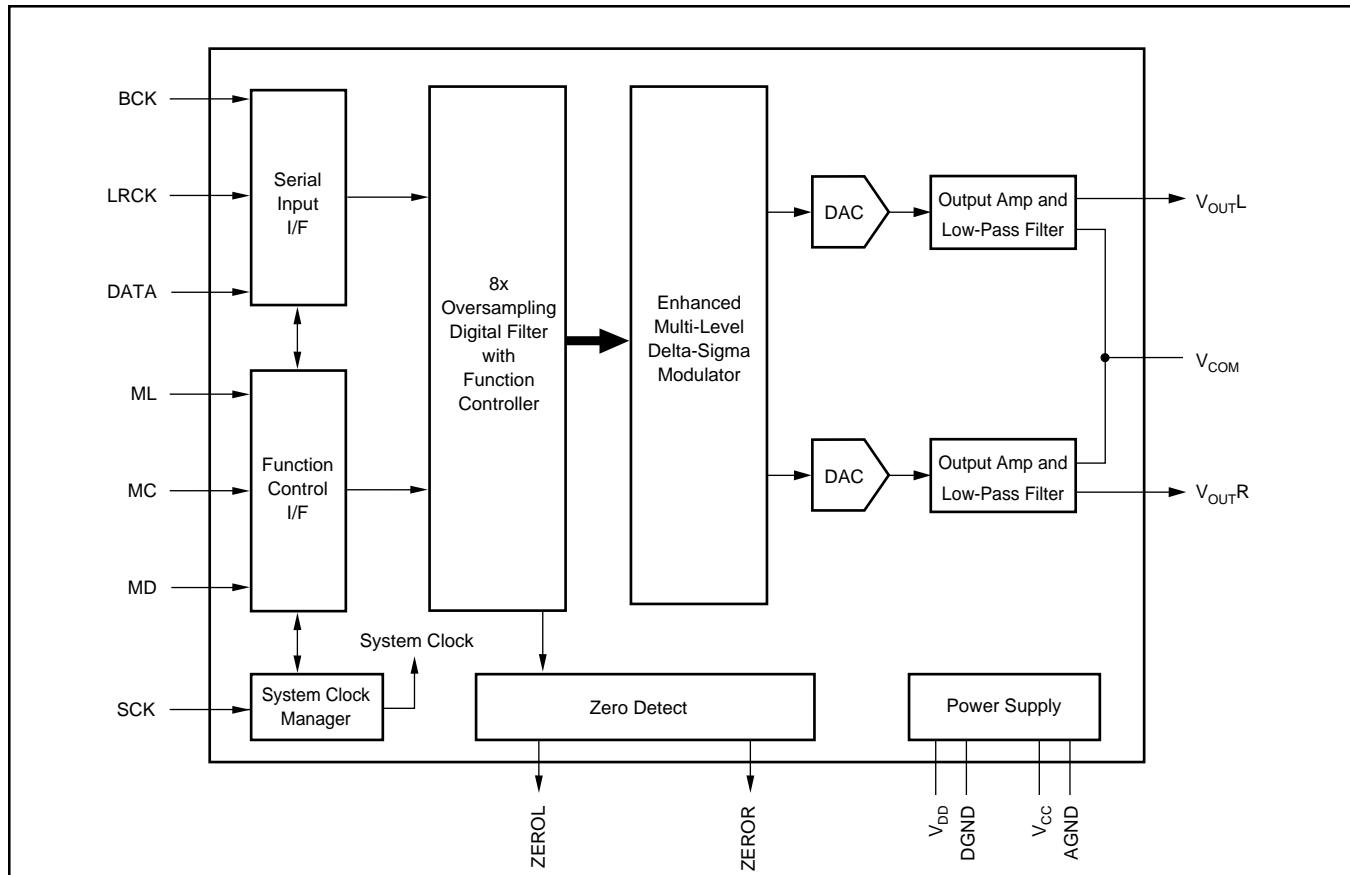
ELECTRICAL CHARACTERISTICS (Cont.)

All specifications at $T_A = +25^\circ\text{C}$, $V_{CC} = 5.0\text{V}$, $V_{DD} = 3.3\text{V}$, system clock = $384f_S$ ($f_S = 44.1\text{kHz}$), and 24-bit data, unless otherwise noted.

PARAMETER	CONDITIONS	PCM1748E PCM1748KE			UNITS
		MIN	TYP	MAX	
DIGITAL FILTER PERFORMANCE (Cont.) Filter Characteristics 2, Slow Roll-Off					
Passband	$\pm 0.5\text{dB}$			$0.198f_S$	
Passband	-3dB			$0.390f_S$	
Stopband		$0.884f_S$			
Passband Ripple				± 0.5	dB
Stopband Attenuation	Stopband = $0.884f_S$	-40			dB
Delay Time			$20/f_S$		sec
De-Emphasis Error			± 0.1		dB
ANALOG FILTER PERFORMANCE					
Frequency Response	$f = 20\text{kHz}$		-0.03		dB
	$f = 44\text{kHz}$		-0.20		dB
POWER SUPPLY REQUIREMENTS⁽⁴⁾					
Voltage Range, V_{DD}		$+3.0$	$+3.3$	$+3.6$	VDC
V_{CC}		$+4.5$	$+5.0$	$+5.5$	VDC
Supply Current, I_{DD} ⁽⁶⁾	$f_S = 44.1\text{kHz}$		6.0	10	mA
	$f_S = 96\text{kHz}$		13		mA
I_{CC}	$f_S = 44.1\text{kHz}$		8.5	13	mA
	$f_S = 96\text{kHz}$		9.0		mA
Power Dissipation	$f_S = 44.1\text{kHz}$		62	98	mW
	$f_S = 96\text{kHz}$		88		mW
TEMPERATURE RANGE					
Operation Temperature		-25		$+85$	$^\circ\text{C}$
Storage Temperature		-55		$+125$	$^\circ\text{C}$
Thermal Resistance θ_{JA}	SSOP-16		115		$^\circ\text{C/W}$

NOTES: (1) Pins 16, 1, 2, 3 (SCK, BCK, LRCK, DATA). (2) Pins 13-15 (MD, MC, ML). (3) Pins 11, 12 (ZEROR, ZEROL). (4) Analog performance specifications are tested with a Shibasoku #725 THD Meter with 400Hz HPF on, 30kHz LPF on, and an average mode with 20kHz bandwidth limiting. The load connected to the analog output is $5\text{k}\Omega$ or larger, via capacitive coupling.

BLOCK DIAGRAM

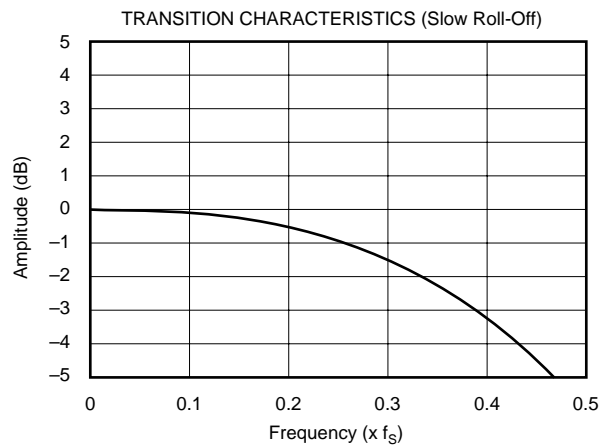
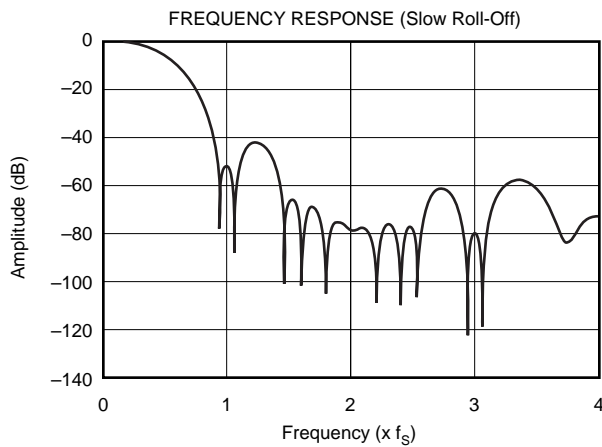
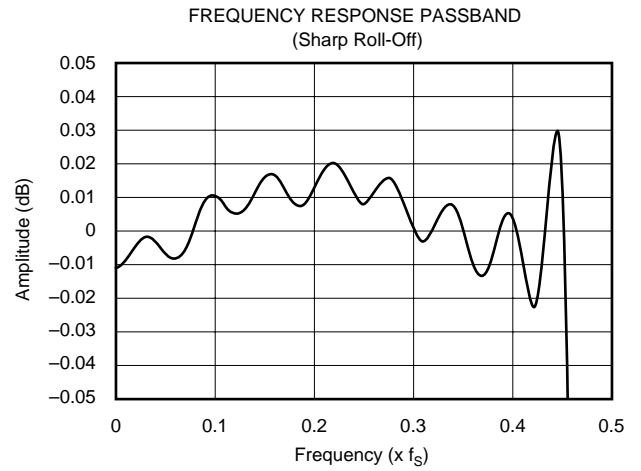
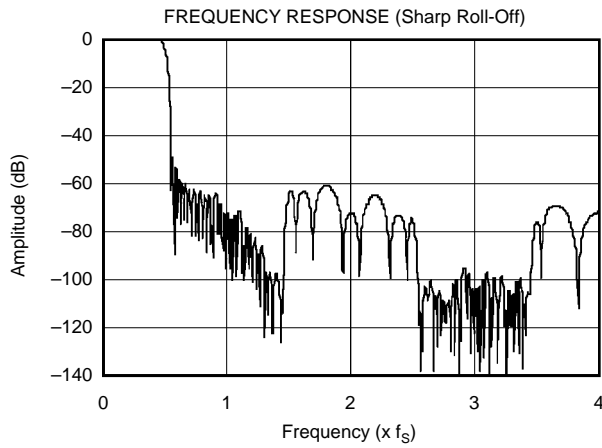


TYPICAL CHARACTERISTICS

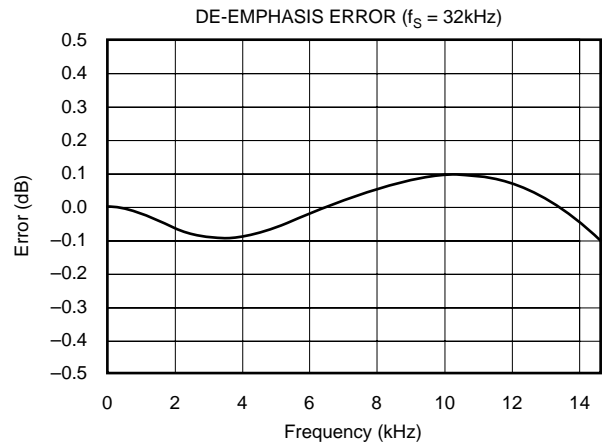
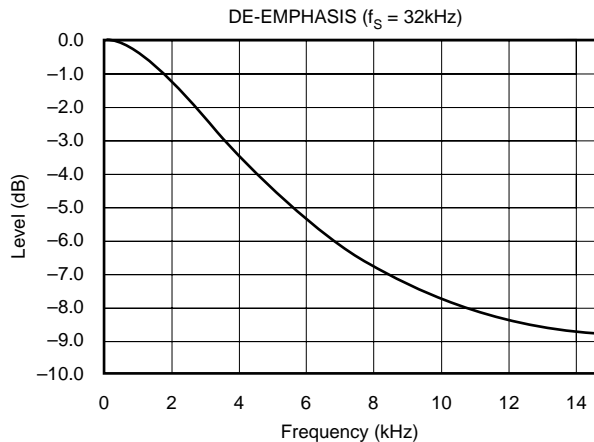
All specifications at $T_A = +25^\circ\text{C}$, $V_{CC} = 5.0\text{V}$, $V_{DD} = 3.3\text{V}$, system clock = $384f_s$ ($f_s = 44.1\text{kHz}$), and 24-bit input data, unless otherwise noted.

DIGITAL FILTER

Digital Filter (De-Emphasis Off, $f_s = 44.1\text{kHz}$)



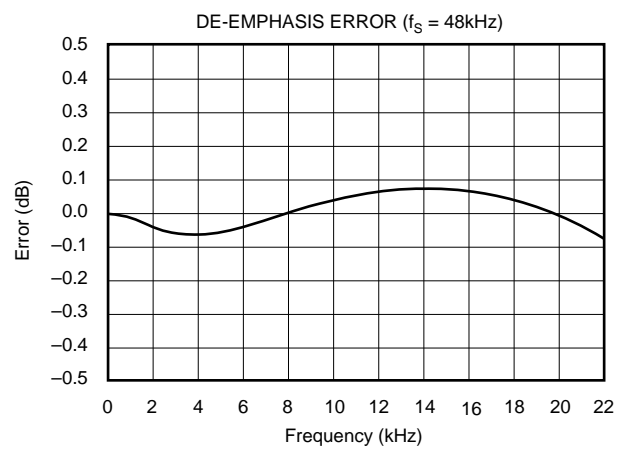
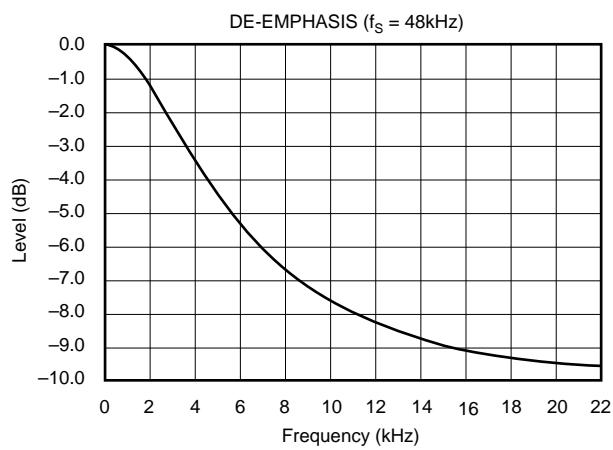
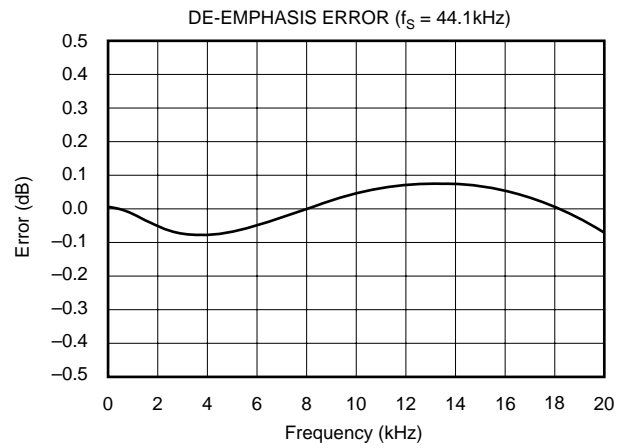
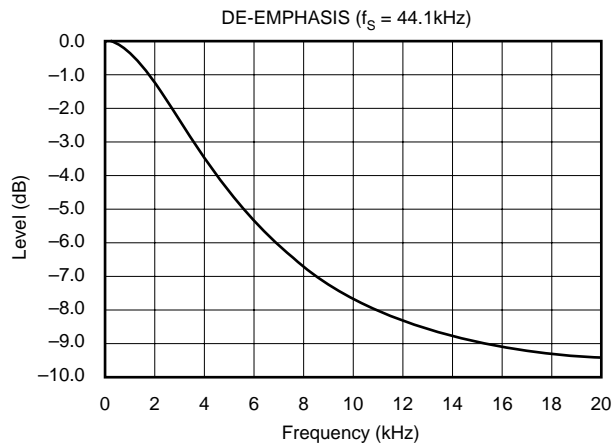
De-Emphasis and De-Emphasis Error



TYPICAL CHARACTERISTICS (Cont.)

All specifications at $T_A = +25^\circ\text{C}$, $V_{CC} = 5.0\text{V}$, $V_{DD} = 3.3\text{V}$, system clock = $384f_S$ ($f_S = 44.1\text{kHz}$), and 24-bit input data, unless otherwise noted.

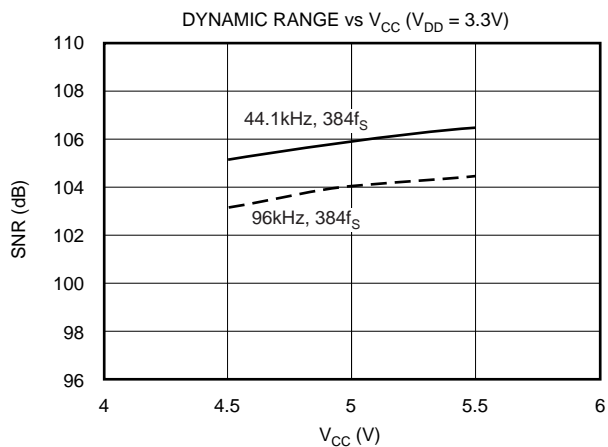
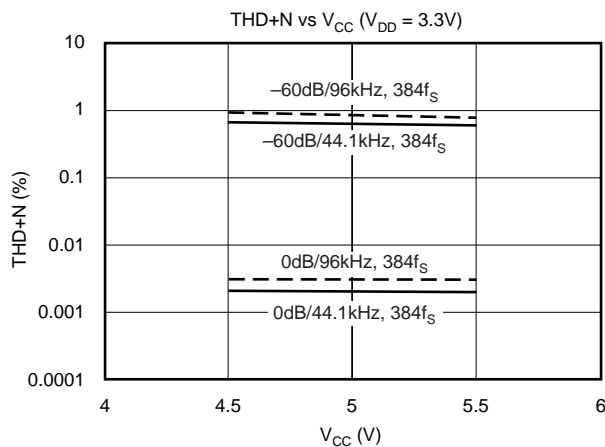
De-Emphasis and De-Emphasis Error (Cont.)



ANALOG DYNAMIC PERFORMANCE

All specifications at $T_A = +25^\circ\text{C}$, $V_{CC} = 5.0\text{V}$, $V_{DD} = 3.3\text{V}$, and 24-bit input data, unless otherwise noted.

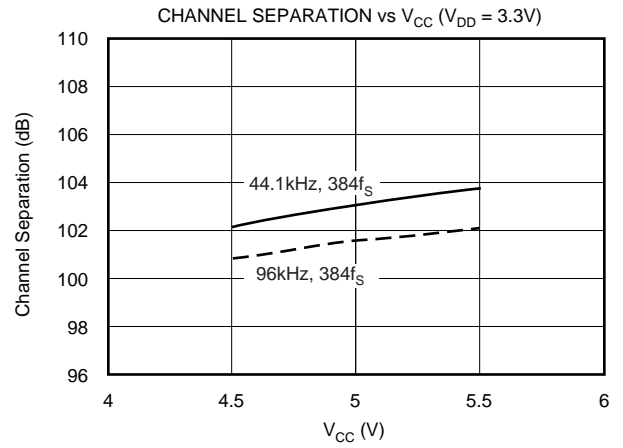
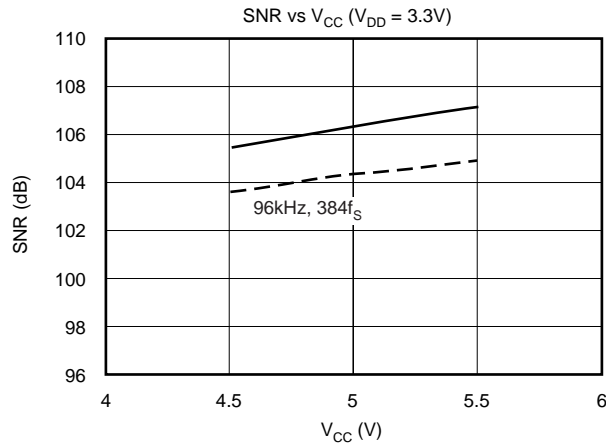
Supply-Voltage Characteristics



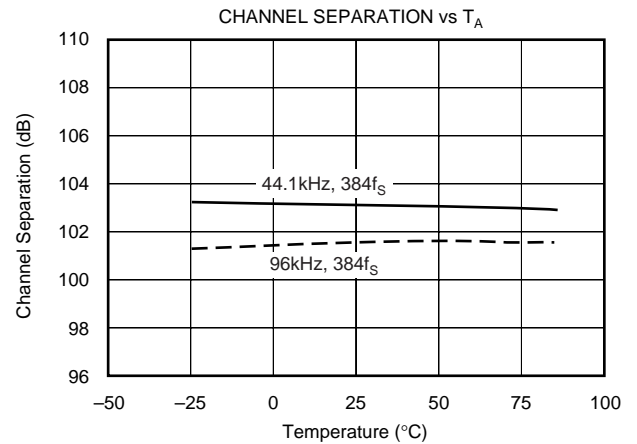
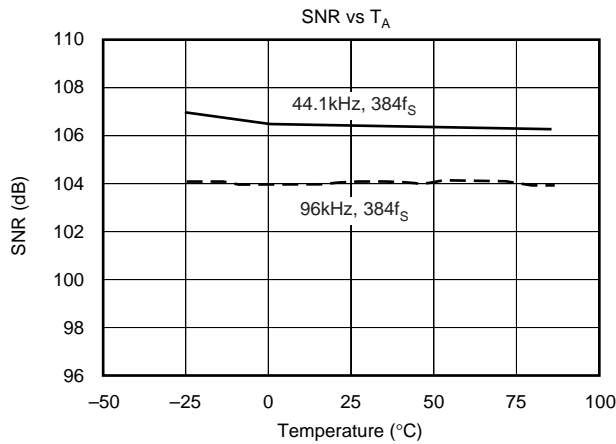
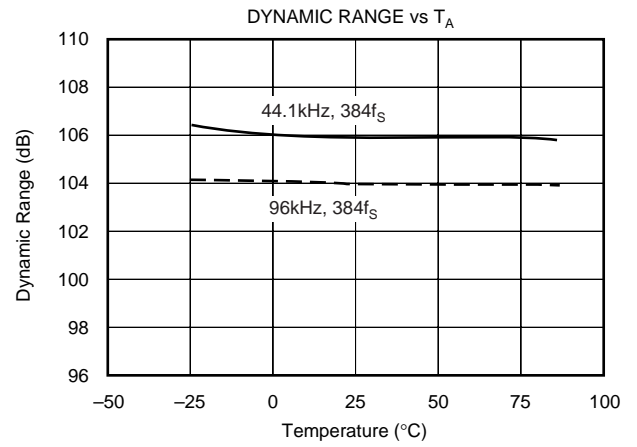
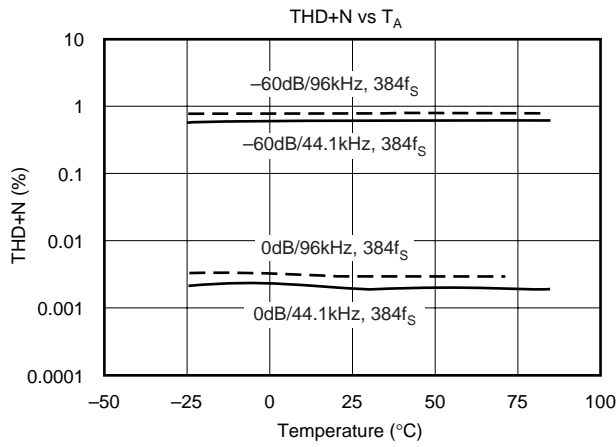
TYPICAL CHARACTERISTICS (Cont.)

All specifications at $T_A = +25^\circ\text{C}$, $V_{CC} = 5.0\text{V}$, $V_{DD} = 3.3\text{V}$, and 24-bit input data, unless otherwise noted.

Supply-Voltage Characteristics (Cont.)



Temperature Characteristics



SYSTEM CLOCK AND RESET FUNCTIONS

SYSTEM CLOCK INPUT

The PCM1748 requires a system clock for operating the digital interpolation filters and multilevel delta-sigma modulators. The system clock is applied at the SCK input (pin 16). Table I shows examples of system clock frequencies for common audio sampling rates.

Figure 1 shows the timing requirements for the system clock input. For optimal performance, it is important to use a clock source with low phase jitter and noise. The PLL1700 multi-clock generator from Texas Instruments is an excellent choice for providing the PCM1748 system clock.

POWER-ON RESET FUNCTIONS

The PCM1748 includes a power-on reset function, as shown in Figure 2. With the system clock active, and $V_{DD} > 2.0V$ (typical 1.6V to 2.4V), the power-on reset function will be enabled. After the initialization period, the PCM1748 will be set to its reset default state, as described in the Mode Control Register section of this data sheet.

During the reset period, the analog outputs are forced to the bipolar zero level, or $V_{CC}/2$. After the reset period, the internal register is initialized in the next $1/f_s$ period and, if SCK, BCK, and LRCK are provided continuously, the PCM1748 provides proper analog output with unit group delay against the input data.

SAMPLING FREQUENCY	SYSTEM CLOCK FREQUENCY (f_{SCLK}) (MHz)			
	$256f_s$	$384f_s$	$512f_s$	$768f_s$
8kHz	2.0480	3.0720	4.0960	6.1440
16kHz	4.0960	6.1440	8.1920	12.2880
32kHz	8.1920	12.2880	16.3840	24.5760
44.1kHz	11.2896	16.9344	22.5792	33.8688
48kHz	12.2880	18.4320	24.5760	36.8640
88.2kHz	22.5792	33.8688	45.1584	See Note (1)
96kHz	24.5760	36.8640	49.1520	See Note (1)

NOTE: (1) The $768f_s$ system clock rate is not supported for $f_s > 64kHz$.

TABLE I. System Clock Rates for Common Audio Sampling Frequencies.

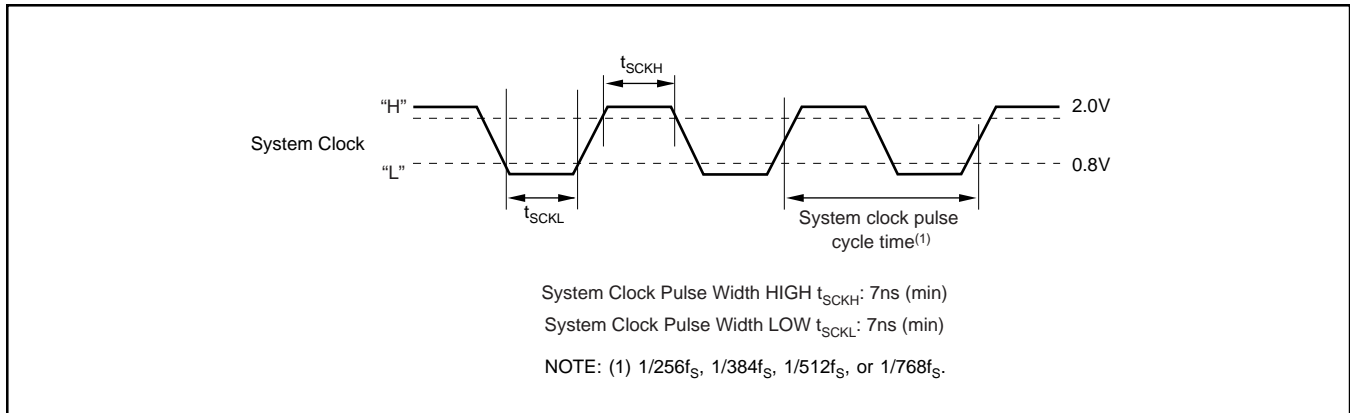


FIGURE 1. System Clock Input Timing.

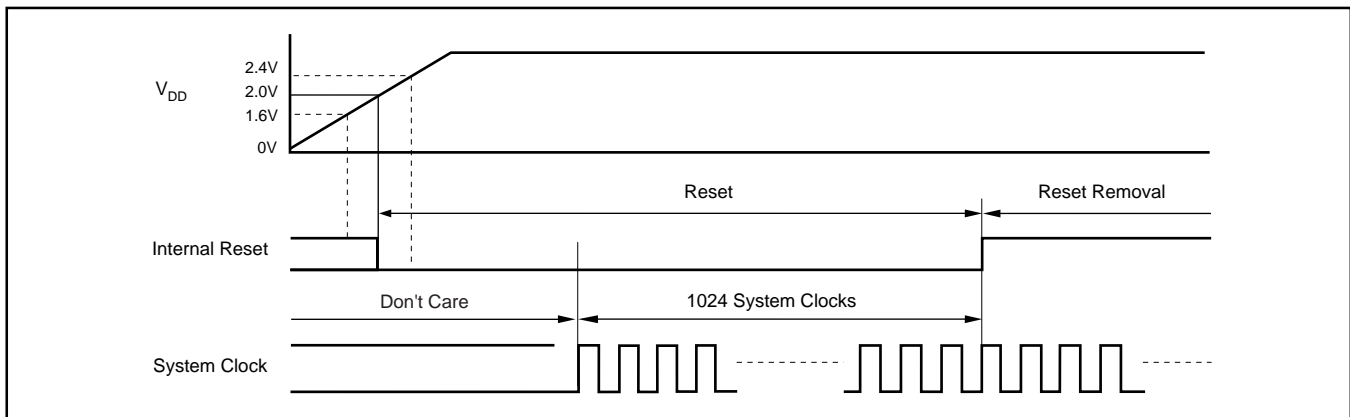


FIGURE 2. Power-On Reset Timing.

AUDIO SERIAL INTERFACE

The audio serial interface for the PCM1748 is comprised of a 3-wire synchronous serial port. It includes LRCK (pin 3), BCK (pin 1), and DATA (pin 2). BCK is the serial audio bit clock, and is used to clock the serial data present on DATA into the audio interface's serial shift register. Serial data is clocked into the PCM1748 on the rising edge of BCK. LRCK is the serial audio left/right word clock used to latch serial data into the serial audio interface's internal registers.

Both LRCK and BCK should be synchronous to the system clock. Ideally, it is recommended that LRCK and BCK be derived from the system clock input, SCK. LRCK is operated at the sampling frequency, f_s . BCK may be operated at 32, 48, or 64 times the sampling frequency. Internal operation of the PCM1748 is synchronized with LRCK. Accordingly, it is held when the sampling rate

clock of LRCK is changed or SCK and/or BCK is broken at least for one clock cycle. If SCK, BCK, and LRCK are provided continuously after this hold condition, the internal operation will be resynchronized automatically, less than $3/f_s$ period. In this resynchronize period, and following $3/f_s$, analog output is forced to the bipolar zero level, or $V_{CC}/2$. External resetting is not required.

AUDIO DATA FORMATS AND TIMING

The PCM1748 supports industry-standard audio data formats, including Standard, I²S, and Left-Justified, as shown in Figure 3. Data formats are selected using the format bits, FMT[2:0], in Control Register 20. The default data format is 24-bit left justified. All formats require Binary Two's Complement, MSB-first audio data. See Figure 4 for a detailed timing diagram of the serial audio interface.

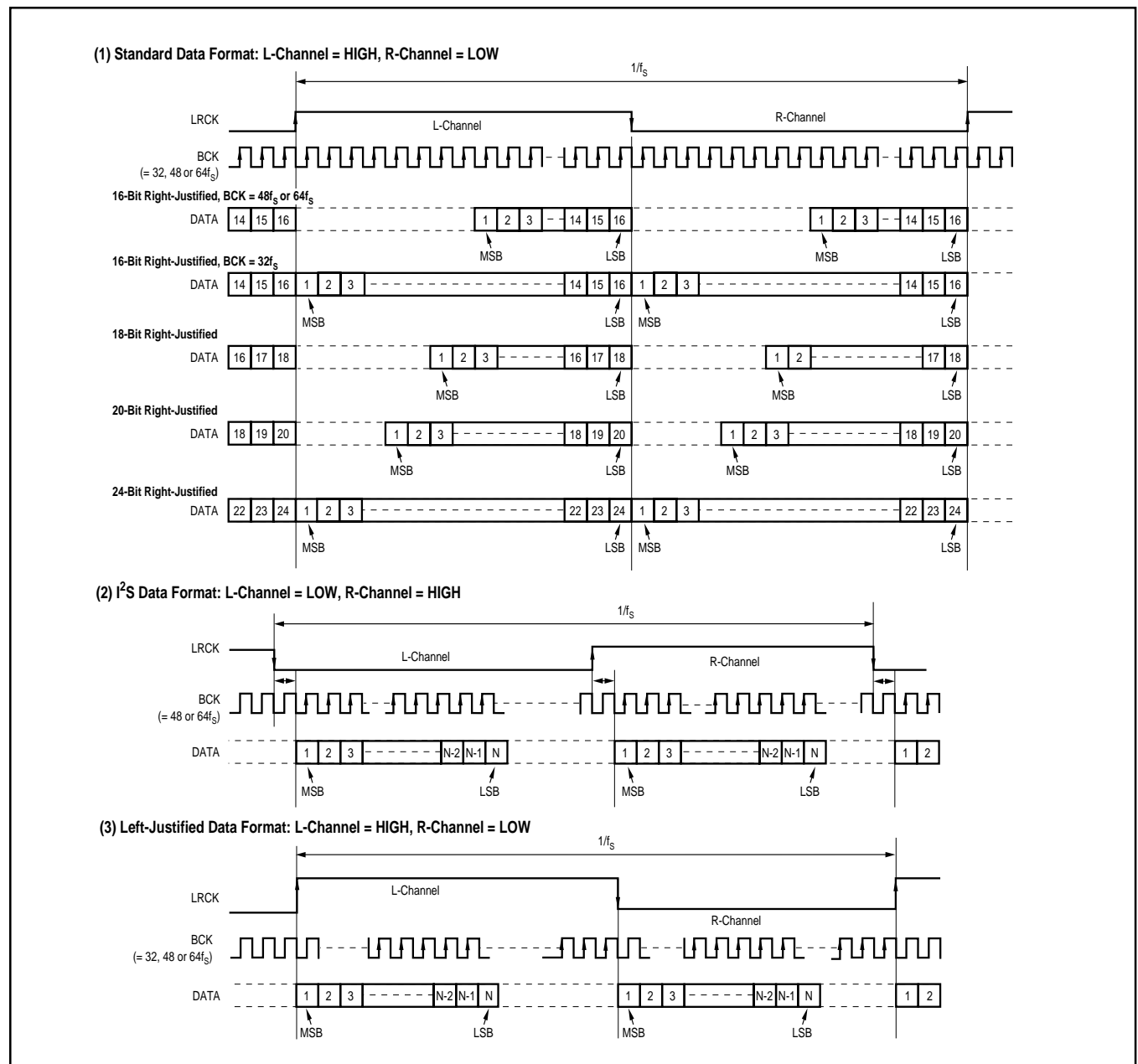


FIGURE 3. Audio Data Input Formats.

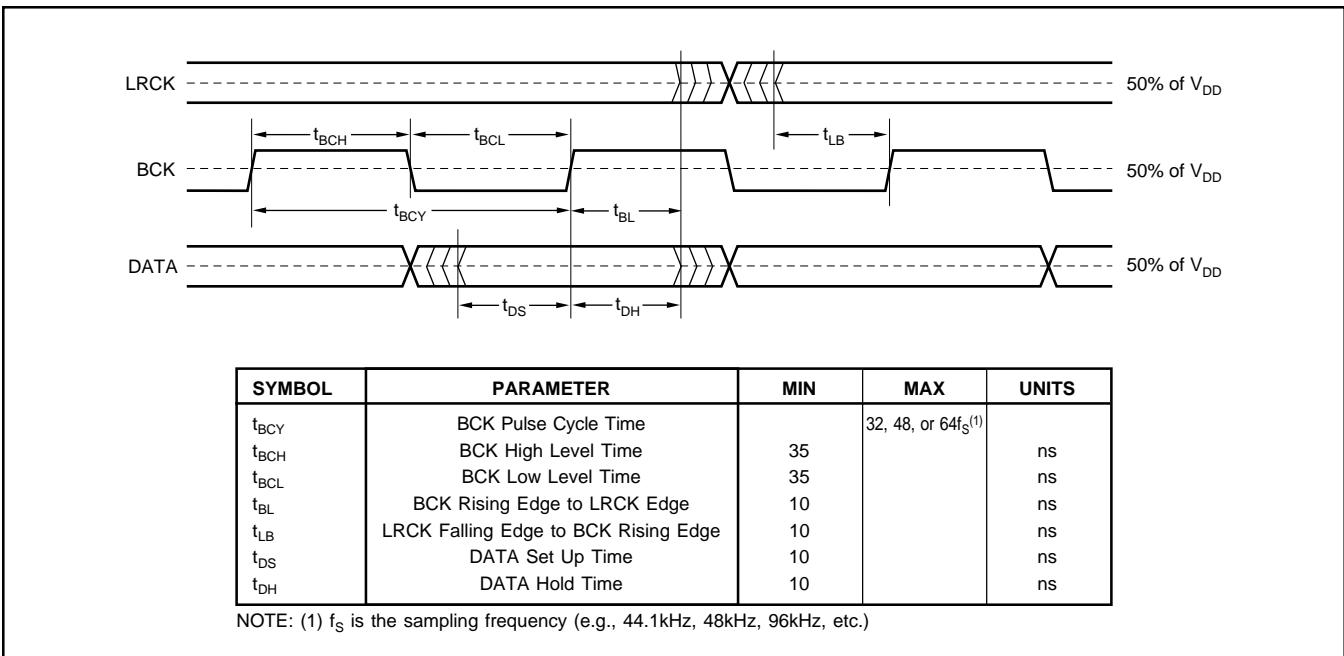


FIGURE 4. Audio Interface Timing.

SERIAL CONTROL INTERFACE

The serial control interface is a 3-wire serial port that operates asynchronously to the serial audio interface. The serial control interface is utilized to program the on-chip mode registers. The control interface includes MD (pin 13), MC (pin 14), and ML (pin 15). MD is the serial data input, used to program the mode registers; MC is the serial bit clock, used to shift data into the control port; and ML is the control port latch clock.

REGISTER WRITE OPERATION

All Write operations for the serial control port use 16-bit data words. Figure 5 shows the control data word format. The most significant bit must be a “0”. There are seven bits, labeled IDX[6:0], that set the register index (or address) for

the Write operation. The least significant eight bits, D[7:0], contain the data to be written to the register specified by IDX[6:0].

Figure 6 shows the functional timing diagram for writing the serial control port. ML is held at a logic “1” state until a register needs to be written. To start the register write cycle, ML is set to logic “0”. Sixteen clocks are then provided on MC, corresponding to the 16 bits of the control data word on MD. After the sixteenth clock cycle has completed, ML is set to logic “1” to latch the data into the indexed mode control register.

CONTROL INTERFACE TIMING REQUIREMENTS

Figure 7 shows a detailed timing diagram for the serial control interface. These timing parameters are critical for proper control port operation.

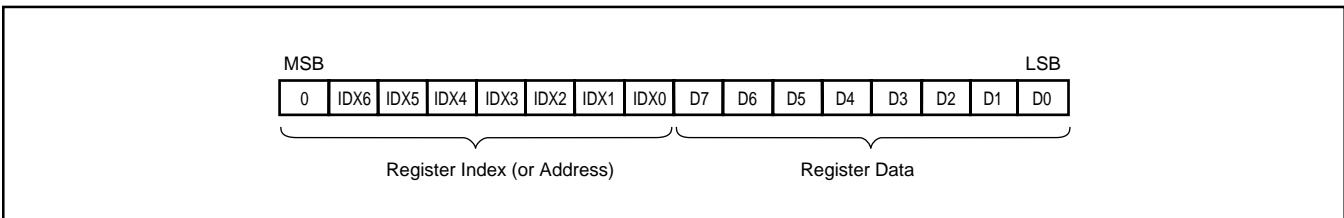


FIGURE 5. Control Data Word Format for MDI.

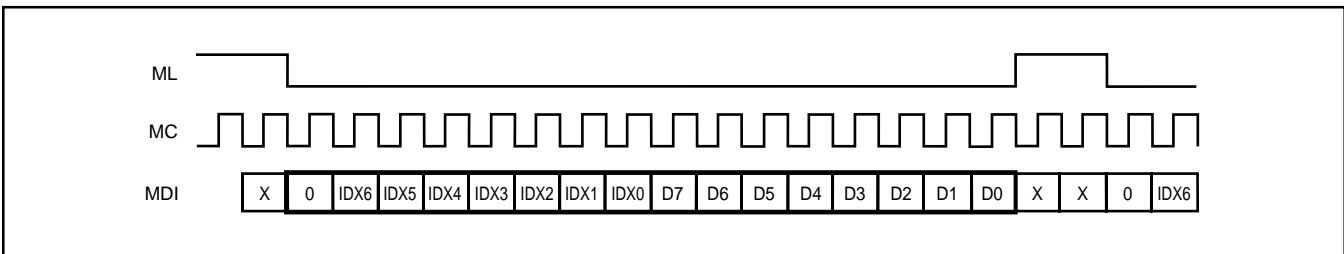


FIGURE 6. Register Write Operation.

MODE CONTROL REGISTERS

User-Programmable Mode Controls

The PCM1748 includes a number of user-programmable functions that are accessed via control registers. The registers are programmed using the Serial Control Interface that was previously discussed in this data sheet. Table II lists the

available mode control functions, along with their reset default conditions and associated register index.

Register Map

The mode control register map is shown in Table III. Each register includes an index (or address) indicated by the IDX[6:0] bits.

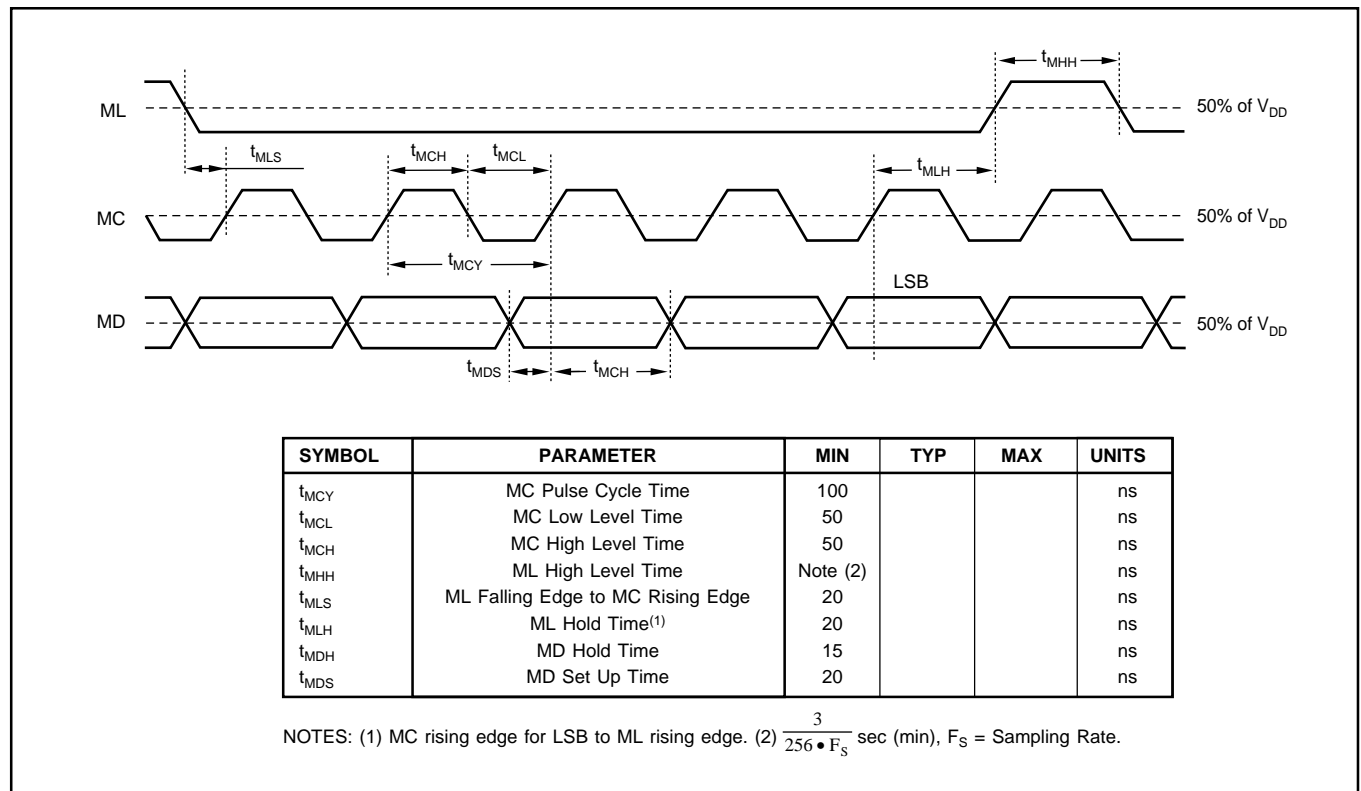


FIGURE 7. Control Interface Timing.

FUNCTION	RESET DEFAULT	CONTROL REGISTER	INDEX, IDX[6:0]
Digital Attenuation Control, 0dB to -63dB in 0.5dB Steps	0dB, No Attenuation	16 and 17	AT1[7:0], AT2[7:0]
Soft Mute Control	Mute Disabled	18	MUT[2:0]
Oversampling Rate Control (64 or 128 f_s)	64 f_s Oversampling	18	OVER
DAC Operation Control	DAC1 and DAC2 Enabled	19	DAC[2:1]
De-Emphasis Function Control	De-Emphasis Disabled	19	DM12
De-Emphasis Sample Rate Selection	44.1kHz	19	DMF[1:0]
Audio Data Format Control	24-Bit Left Justified	20	FMT[2:0]
Digital Filter Roll-Off Control	Sharp Roll-Off	20	FLT
Zero Flag Function Select	L-/R-Channel Independent	22	AZRO
Output Phase Select	Normal Phase	22	DREV
Zero Flag Polarity Select	High	22	ZREV

TABLE II. User-Programmable Mode Controls.

IDX (B8-B14)	REGISTER	B15	B14	B13	B12	B11	B10	B9	B8	B7	B6	B5	B4	B3	B2	B1	B0
10 _H	16	0	IDX6	IDX5	IDX4	IDX3	IDX2	IDX1	IDX0	AT17	AT16	AT15	AT14	AT13	AT12	AT11	AT10
11 _H	17	0	IDX6	IDX5	IDX4	IDX3	IDX2	IDX1	IDX0	AT27	AT26	AT25	AT24	AT23	AT22	AT21	AT20
12 _H	18	0	IDX6	IDX5	IDX4	IDX3	IDX2	IDX1	IDX0	RSV	OVER	RSV	RSV	RSV	RSV	MUT2	MUT1
13 _H	19	0	IDX6	IDX5	IDX4	IDX3	IDX2	IDX1	IDX0	RSV	DMF1	DMF0	DM12	RSV	RSV	DAC2	DAC1
14 _H	20	0	IDX6	IDX5	IDX4	IDX3	IDX2	IDX1	IDX0	RSV	RSV	FLT	RSV	RSV	FMT2	FMT1	FMT0
15 _H	21	0	IDX6	IDX5	IDX4	IDX3	IDX2	IDX1	IDX0	RSV	RSV	RSV	RSV	RSV	RSV	RSV	RSV
16 _H	22	0	IDX6	IDX5	IDX4	IDX3	IDX2	IDX1	IDX0	RSV	RSV	RSV	RSV	RSV	AZRO	ZREV	DREV

TABLE III. Mode Control Register Map.

REGISTER DEFINITIONS

	B15	B14	B13	B12	B11	B10	B9	B8	B7	B6	B5	B4	B3	B2	B1	B0
Register 16	0	IDX6	IDX5	IDX4	IDX3	IDX2	IDX1	IDX0	AT17	AT16	AT15	AT14	AT13	AT12	AT11	AT10
Register 17	0	IDX6	IDX5	IDX4	IDX3	IDX2	IDX1	IDX0	AT27	AT26	AT25	AT24	AT23	AT22	AT21	AT20

ATx[7:0] Digital Attenuation Level Setting

where $x = 1$ or 2 , corresponding to the DAC output V_{OUTL} ($x = 1$) and V_{OUTR} ($x = 2$).

Default Value: 1111 1111_B

Each DAC channel (V_{OUTL} and V_{OUTR}) includes a digital attenuator function. The attenuation level may be set from 0dB to -63dB, in 0.5dB steps. The attenuation data for each channel can be set individually.

The attenuation level may be set using the formula below.

$$\text{Attenuation Level (dB)} = 0.5 (\text{ATx}[7:0]_{\text{DEC}} - 255)$$

where: $\text{ATx}[7:0]_{\text{DEC}} = 0$ through 255

for: $\text{ATx}[7:0]_{\text{DEC}} = 0$ through 128, the attenuator is set to infinite attenuation.

The following table shows attenuator levels for various settings.

ATx[7:0]	Decimal Value	Attenuator Level Setting
1111 1111 _B	255	0dB, No Attenuation (default)
1111 1110 _B	254	-0.5dB
1111 1101 _B	253	-1.0dB
1000 0011 _B	131	-62.0dB
1000 0010 _B	130	-62.5dB
1000 0001 _B	129	-63.0dB
1000 0000 _B	128	Mute
•	•	•
•	•	•
•	•	•
0000 0000 _B	0	Mute

	B15	B14	B13	B12	B11	B10	B9	B8	B7	B6	B5	B4	B3	B2	B1	B0
Register 18	0	IDX6	IDX5	IDX4	IDX3	IDX2	IDX1	IDX0	RSV	OVER	RSV	RSV	RSV	RSV	MUT2	MUT1

MUTx Soft Mute Control

Where $x = 1$ or 2 , corresponding to the DAC output V_{OUTL} ($x = 1$) and V_{OUTR} ($x = 2$).

Default Value: 0

MUTx = 0	Mute Disabled (default)
MUTx = 1	Mute Enabled

The mute bits, MUT1 and MUT2, are used to enable or disable the Soft Mute function for the corresponding DAC outputs, V_{OUTL} and V_{OUTR} . The Soft Mute function is incorporated into the digital attenuators. When Mute is disabled ($\text{MUTx} = 0$), the attenuator and DAC operate normally. When Mute is enabled by setting $\text{MUTx} = 1$, the digital attenuator for the corresponding output will be decreased from the current setting to the infinite attenuation setting one attenuator step (0.5dB) at a time. This provides a quiet, “pop”-free muting of the DAC output.

OVER Oversampling Rate Control

Default Value: 0

OVER = 0	64x Oversampling (default)
OVER = 1	128x Oversampling

The OVER bit is used to control the oversampling rate of the delta-sigma DACs.

	B15	B14	B13	B12	B11	B10	B9	B8	B7	B6	B5	B4	B3	B2	B1	B0
REGISTER 19	0	IDX6	IDX5	IDX4	IDX3	IDX2	IDX1	IDX0	RSV	DMF1	DMF0	DM12	RSV	RSV	DAC2	DAC1

DACx DAC Operation Control

where $x = 1$ or 2 , corresponding to the DAC output V_{OUTL} ($x = 1$) or V_{OUTR} ($x = 2$).

Default Value: 0

DACx = 0	DAC Operation Enabled (default)
DACx = 1	DAC Operation Disabled

The DAC operation controls are used to enable and disable the DAC outputs, V_{OUTL} and V_{OUTR} . When $DACx = 0$, the corresponding output will generate the audio waveform dictated by the data present on the DATA pin. When $DACx = 1$, the corresponding output will be set to the bipolar zero level, or $V_{CC}/2$.

DM12 Digital De-Emphasis Function Control

Default Value: 0

DM12 = 0	De-Emphasis Disabled (default)
DM12 = 1	De-Emphasis Enabled

The DM12 bit is used to enable or disable the Digital De-Emphasis function. Refer to the Typical Performance Curves of this data sheet for more information.

DMF[1:0] Sampling Frequency Selection for the De-Emphasis Function

Default Value: 00_B

DMF[1:0]	De-Emphasis Same Rate Selection
00	44.1kHz (default)
01	48kHz
10	32kHz
11	Reserved

The DMF[1:0] bits are used to select the sampling frequency used for the Digital De-Emphasis function when it is enabled.

	B15	B14	B13	B12	B11	B10	B9	B8	B7	B6	B5	B4	B3	B2	B1	B0
REGISTER 20	0	IDX6	IDX5	IDX4	IDX3	IDX2	IDX1	IDX0	RSV	RSV	FLT	RSV	RSV	FMT2	FMT1	FMT0

FMT[2:0] Audio Interface Data Format

Default Value: 000_B

The FMT[2:0] bits are used to select the data format for the serial audio interface. The following table shows the available format options.

FMT[2:0]	Audio Data Format Selection
000	24-Bit Standard Format, Right-Justified Data (default)
001	20-Bit Standard Format, Right-Justified Data
010	18-Bit Standard Format, Right-Justified Data
011	16-Bit Standard Format, Right-Justified Data
100	I ² S Format, 16- to 24-bits
101	Left-Justified Format, 16- to 24-Bits
110	Reserved
111	Reserved

Register 20 (Cont.)

FLT Digital Filter Roll-Off Control

Default Value: 0

FLT = 0	Sharp Roll-Off (default)
FLT = 1	Slow Roll-Off

The FLT bit allows the user to select the digital filter roll-off that is best suited to their application. Two filter roll-off sections are available: Sharp or Slow. The filter responses for these selections are shown in the Typical Performance Curves section of this data sheet.

	B15	B14	B13	B12	B11	B10	B9	B8	B7	B6	B5	B4	B3	B2	B1	B0
REGISTER 22	0	IDX6	IDX5	IDX4	IDX3	IDX2	IDX1	IDX0	RSV	RSV	RSV	RSV	RSV	AZRO	ZREV	DREV

DREV Output Phase Select

Default Value: 0

DREV = 0	Normal Output (default)
DREV = 1	Inverted Output

The DREV bit is used to set the output phase of V_{OUTL} and V_{OUTR} .

ZREV Zero Flag Polarity Select

Default Value: 0

ZREV = 0	Zero Flag Pins HIGH at a Zero Detect (default)
ZREV = 1	Zero Flag Pins LOW at a Zero Detect

The ZREV bit allows the user to select the active polarity of Zero Flag pins.

AZRO Zero Flag Function Select

Default Value: 0

AZRO = 0	L-/R-Channel Independent Zero Flag (default)
AZRO = 1	L-/R-Channel Common Zero Flag

The AZRO bit allows the user to select the function of Zero Flag pins.

AZRO = 0:

Pin11: ZEROR; Zero Flag Output for R-Channel
Pin12: ZEROL; Zero Flag Output for L-Channel

AZRO = 1:

Pin11: ZEROA; Zero Flag Output for L-/R-Channel
Pin12: NA; No Assign

ANALOG OUTPUTS

The PCM1748 includes two independent output channels: V_{OUTL} and V_{OUTR} . These are unbalanced outputs, each capable of driving 3.1Vp-p typical into a 5k Ω AC-coupled load. The internal output amplifiers for V_{OUTL} and V_{OUTR} are biased to the DC common-mode (or bipolar zero) voltage, equal to $V_{CC}/2$.

The output amplifiers include an RC continuous-time filter that helps to reduce the out-of-band noise energy present at the DAC outputs, due to the noise shaping characteristics of the PCM1748's delta-sigma DACs. The frequency response of this filter is shown in Figure 8. By itself, this filter is not

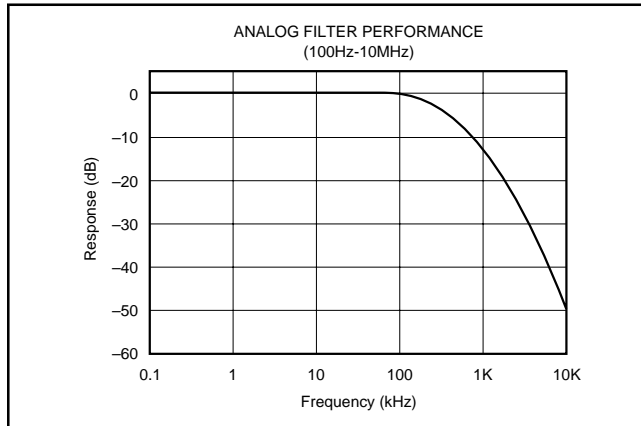


FIGURE 8. Output Filter Frequency Response.

enough to attenuate the out-of-band noise to an acceptable level for many applications, therefore, an external low-pass filter is required to provide sufficient out-of-band noise rejection. Further discussion of DAC post-filter circuits is provided in the Applications Information section of this data sheet.

V_{COM} OUTPUT

One unbuffered common-mode voltage output pin, V_{COM} (pin 10), is brought out for decoupling purposes. This pin is nominally biased to a DC voltage level equal to $V_{CC}/2$. This pin may be used to bias external circuits. An example of using the V_{COM} pin for external biasing applications is shown in Figure 9.

ZERO FLAGS

Zero Detect Condition

Zero Detection for each output channel is independent from the other. If the data for a given channel remains at a "0" level for 1024 sample periods (or LRCK clock periods), a Zero Detect condition exists for that channel.

Zero Output Flags

Given that a Zero Detect condition exists for one or more channels, the Zero Flag pins for those channels will be set to a logic "1" state. There are Zero Flag pins for each channel, ZEROL (pin 12) and ZEROR (pin 11). These pins can be used

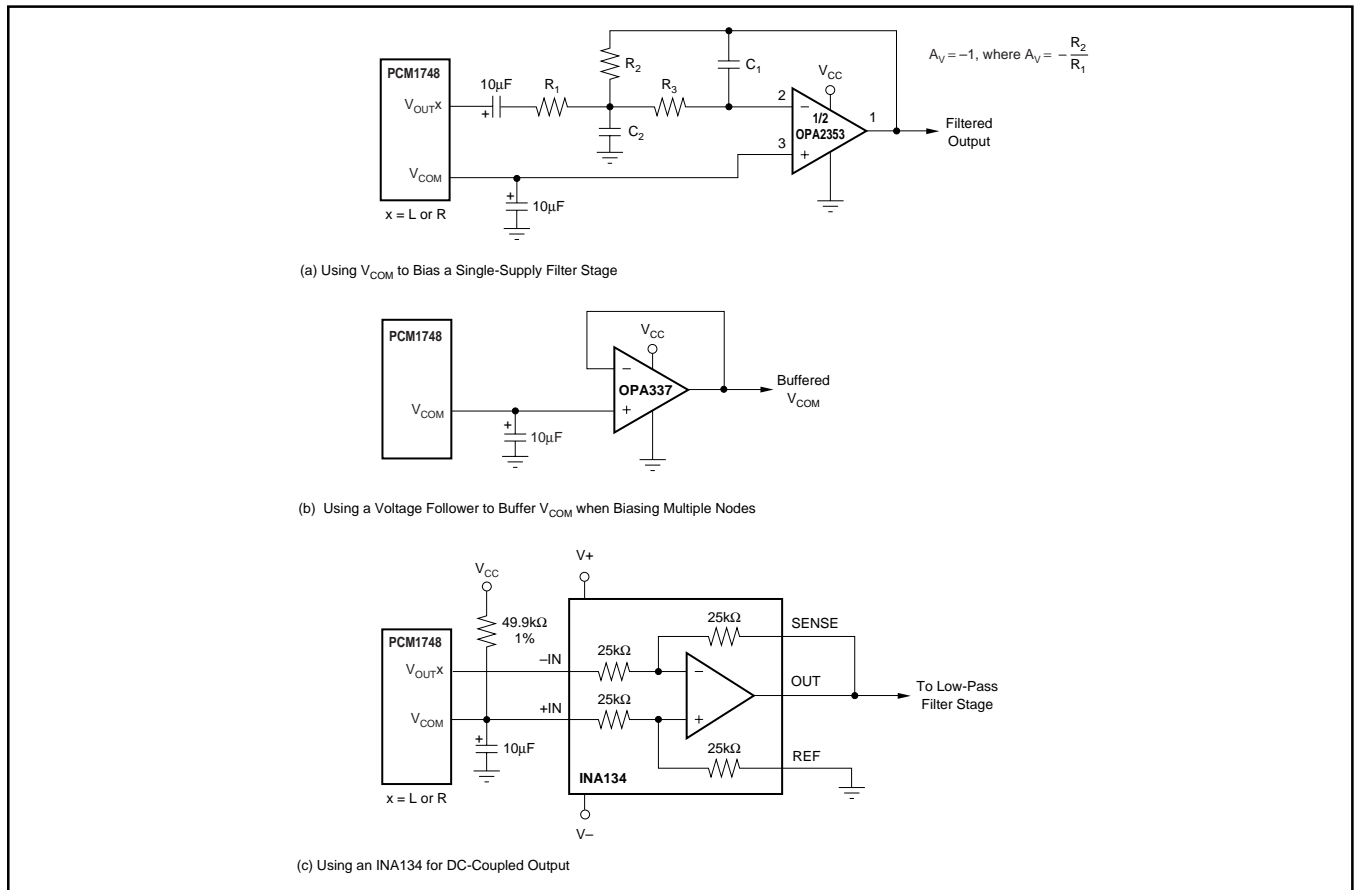


FIGURE 9. Biasing External Circuits Using the V_{COM} Pin.

to operate external mute circuits, or used as status indicators for a microcontroller, audio signal processor, or other digitally controlled functions.

The active polarity of Zero Flag output can be inverted by setting the ZREV bit of Control Register 22 to “1”. The reset default is active high output, or ZREV = 0.

APPLICATIONS INFORMATION

Connection Diagrams

A basic connection diagram is shown in Figure 11, with the necessary power-supply bypassing and decoupling components. Texas Instruments recommends using the component values shown in Figure 11 for all designs.

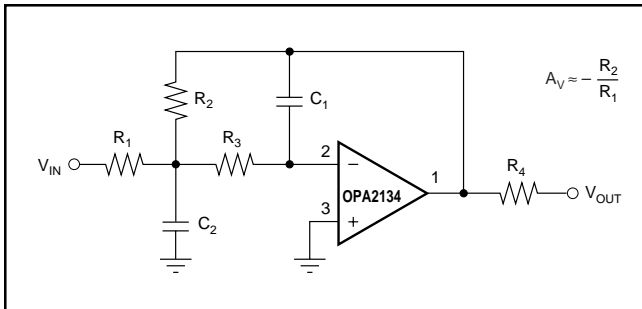


FIGURE 10. Dual-Supply Filter Circuit.

The use of series resistors (22Ω to 100Ω) are recommended for the SCK, LRCK, BCK, and DATA inputs. The series resistor combines with stray PCB and device input capacitance to form a low-pass filter that reduces high-frequency noise emissions and helps to dampen glitches and ringing present on clock and data lines.

Power Supplies and Grounding

The PCM1748 requires a +5V analog supply and a +3.3V digital supply. The +5V supply is used to power the DAC analog and output filter circuitry, while the +3.3V supply is used to power the digital filter and serial interface circuitry. For best performance, the +3.3V supply should be derived from the +5V supply using a linear regulator, as shown in Figure 11. The REG1117-3.3 from Texas Instruments is an ideal choice for this application.

Proper power-supply bypassing is shown in Figure 11. The 10μF capacitors should be tantalum or aluminum electrolytic.

DAC Output Filter Circuits

Delta-sigma DACs utilize noise-shaping techniques to improve in-band Signal-to-Noise Ratio (SNR) performance at the expense of generating increased out-of-band noise above the Nyquist Frequency, or $f_s/2$. The out-of-band noise must be low-pass filtered in order to provide the optimal converter performance. This is accomplished by a combination of on-chip and external low-pass filtering.

Figures 9(a) and 10 show the recommended external low-pass active filter circuits for single- and dual-supply applications. These circuits are second-order Butterworth filters using the Multiple FeedBack (MFB) circuit arrangement that reduces sensitivity to passive component variations over frequency and temperature. For more information regarding MFB active filter design, please refer to Burr-Brown Applications Bulletin #34 (AB-034), available from our web site at <http://www.ti.com>.

Since the overall system performance is defined by the quality of the DACs and their associated analog output circuitry, high-quality audio op amps are recommended for the active filters. The OPA2353 and OPA2134 dual op amps from Texas Instruments are recommended for use with the PCM1748, see Figures 9(a) and 10.

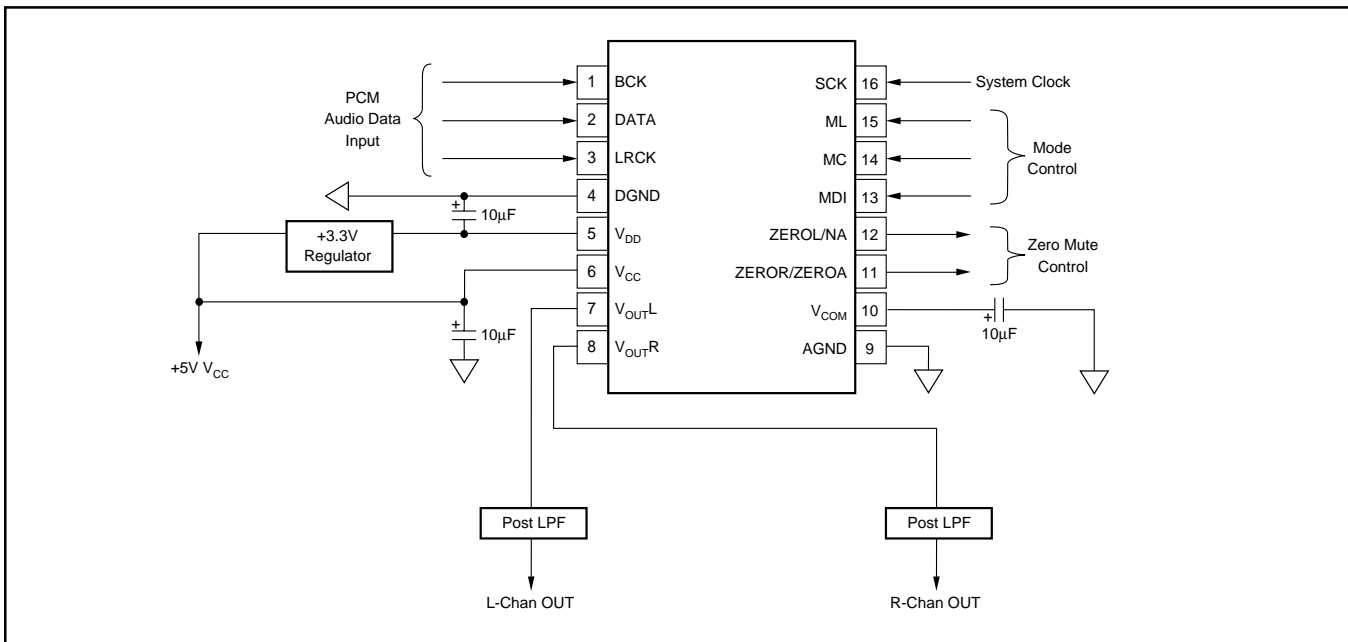


FIGURE 11. Basic Connection Diagram.

PCB LAYOUT GUIDELINES

A typical PCB floor plan for the PCM1748 is shown in Figure 12. A ground plane is recommended, with the analog and digital sections being isolated from one another using a split or cut in the circuit board. The PCM1748 should be oriented with the digital I/O pins facing the ground plane split/cut to allow for short, direct connections to the digital audio interface and control signals originating from the digital section of the board.

Separate power supplies are recommended for the digital and analog sections of the board. This prevents the switching noise present on the digital supply from contaminating the analog power supply and degrading the dynamic performance of the PCM1748. In cases where a common +5V supply must be used for the analog and digital sections, an inductance (RF choke, ferrite bead) should be placed between the analog and digital +5V supply connections to avoid coupling of the digital switching noise into the analog circuitry. Figure 13 shows the recommended approach for single-supply applications.

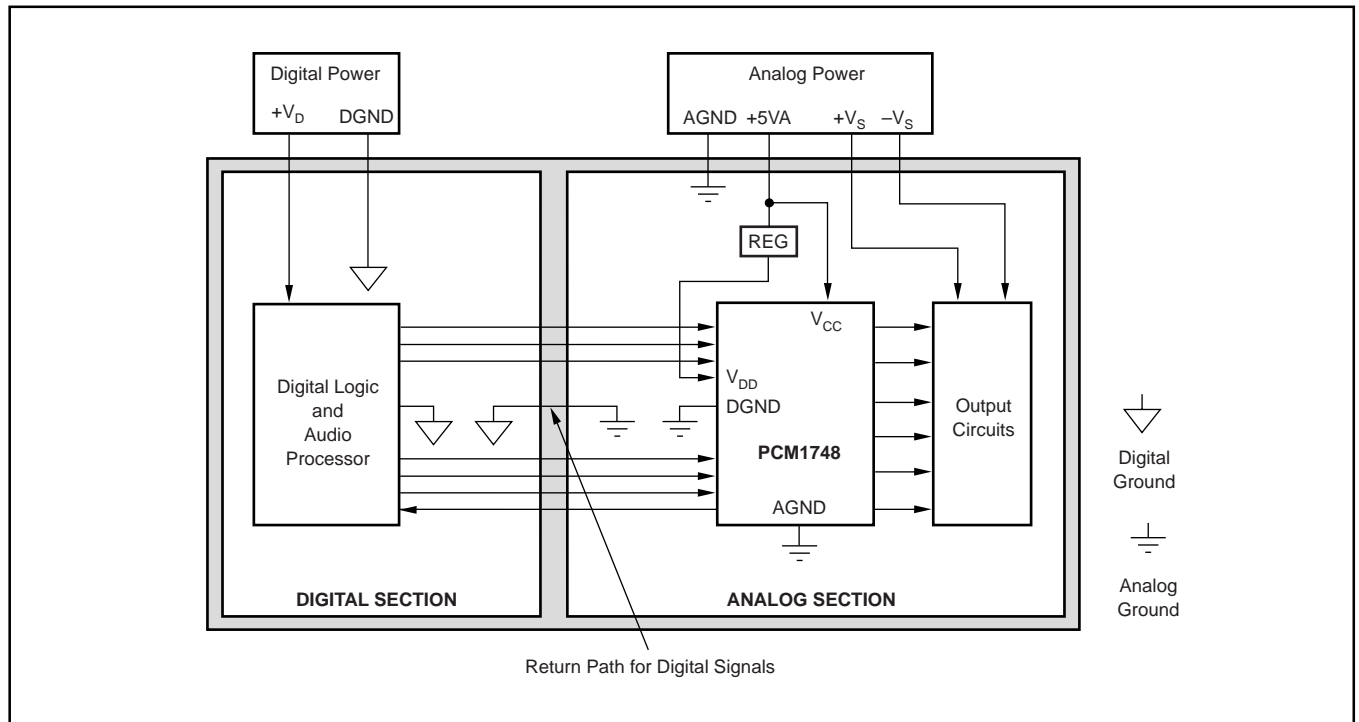


FIGURE 12. Recommended PCB Layout.

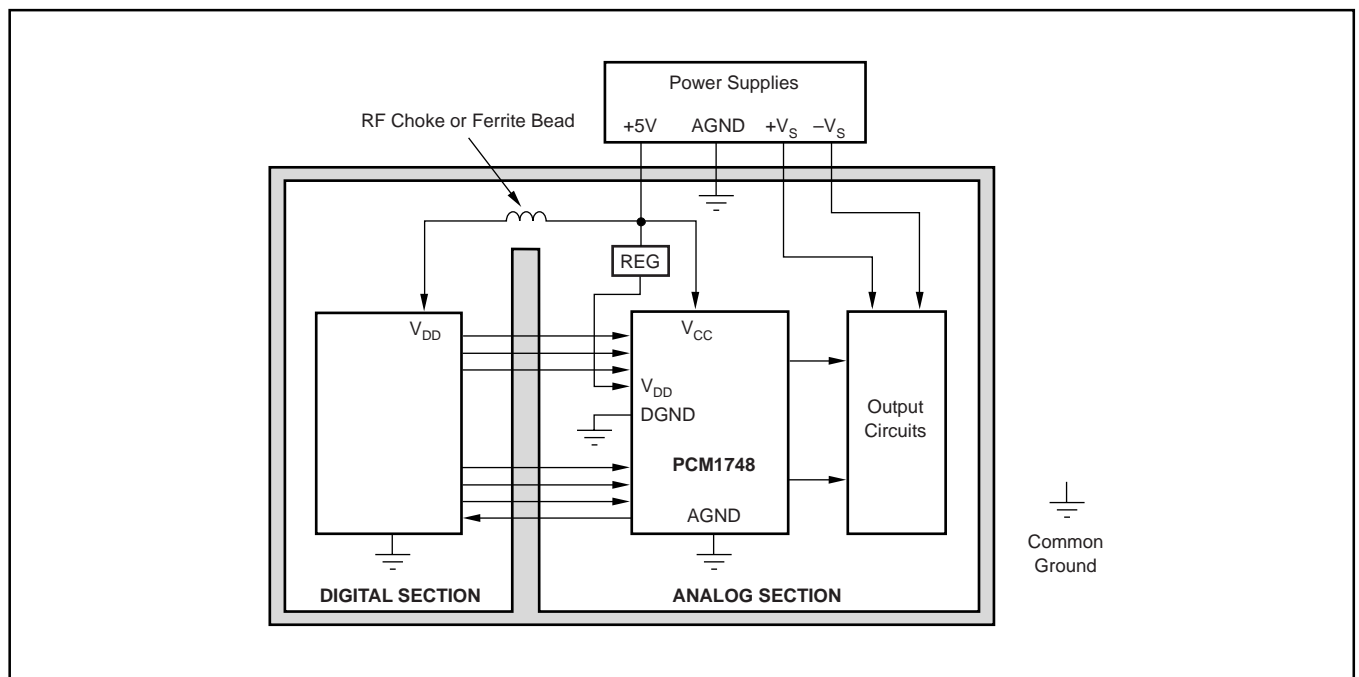


FIGURE 13. Single-Supply PCB Layout.

THEORY OF OPERATION

The delta-sigma section of the PCM1748 is based on an 8-level amplitude quantizer and a fourth-order noise shaper. This section converts the oversampled input data to 8-level delta-sigma format. A block diagram of the 8-level delta-sigma modulator is shown in Figure 14. This 8-level delta-sigma modulator has the advantage of stability and clock jitter sensitivity over the typical

one-bit (2-level) delta-sigma modulator. The combined oversampling rate of the delta-sigma modulator and the interpolation filter is $64f_s$.

The theoretical quantization noise performance of the 8-level delta-sigma modulator is shown in Figure 15. The enhanced multilevel delta-sigma architecture also has advantages for input clock jitter sensitivity due to the multilevel quantizer, with the simulated jitter sensitivity, as shown in Figure 16.

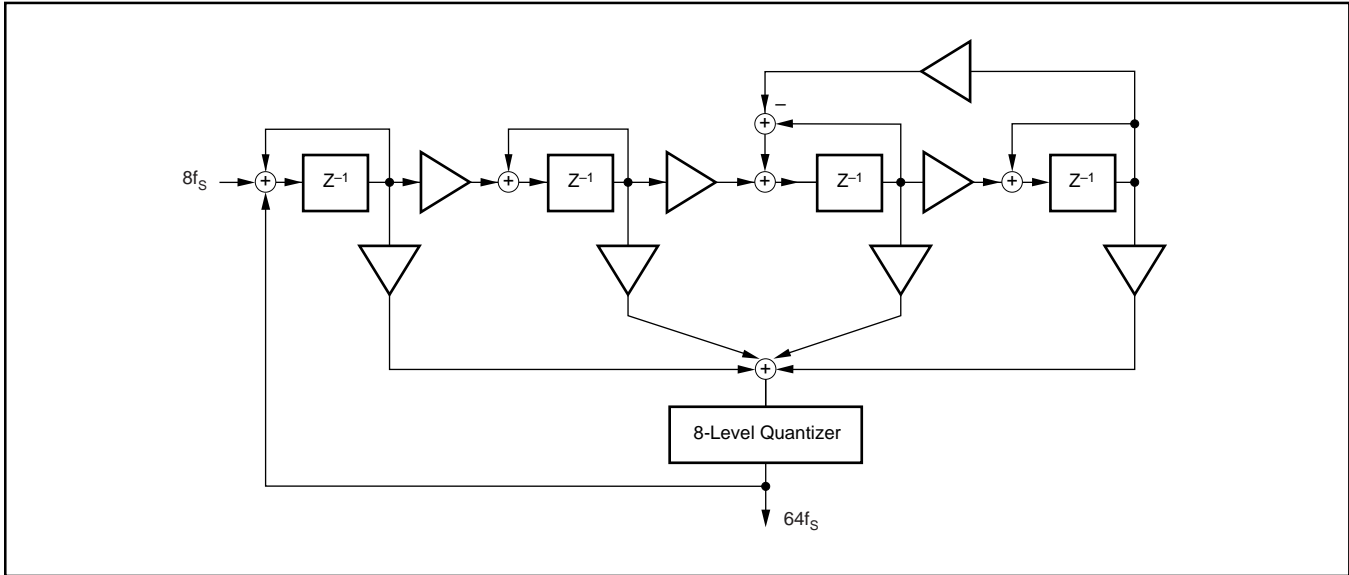


FIGURE 14. Eight-Level Delta-Sigma Modulator.

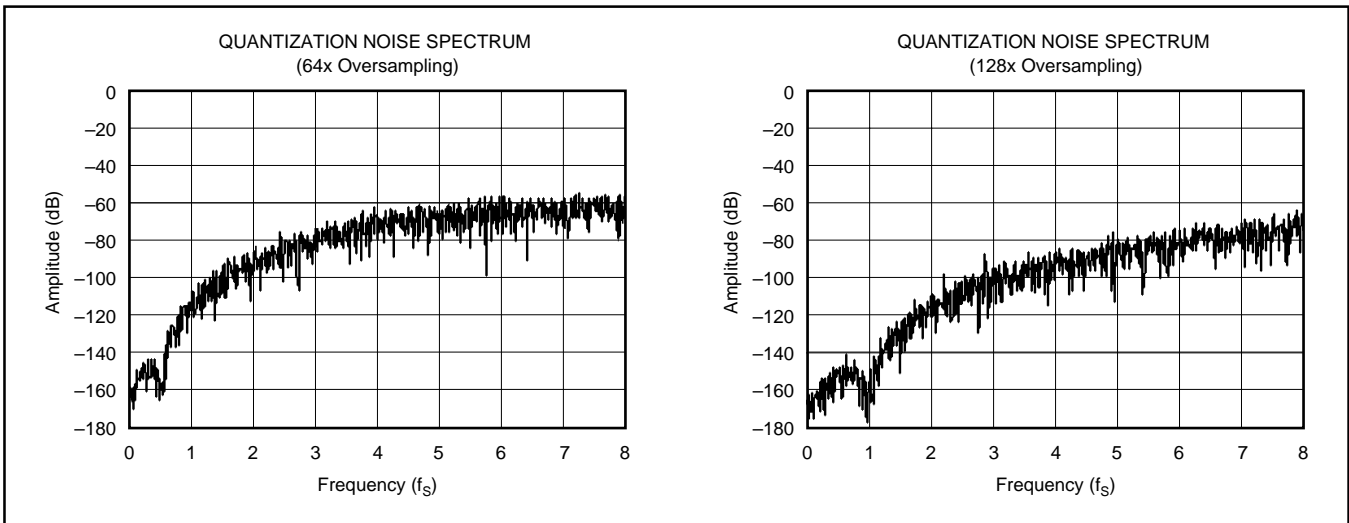


FIGURE 15. Quantization Noise Spectrum.

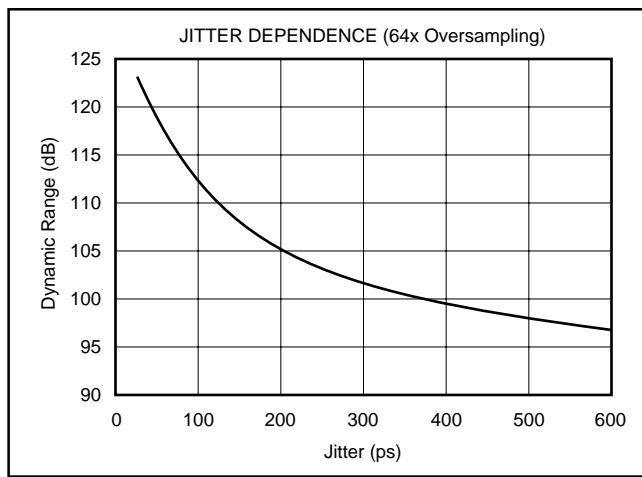


FIGURE 16. Jitter Sensitivity.

KEY PERFORMANCE PARAMETERS AND MEASUREMENT

This section provides information on how to measure key dynamic performance parameters for the PCM1748. In all cases, an Audio Precision System Two Cascade or equivalent audio measurement system is utilized to perform the testing.

Total Harmonic Distortion + Noise

Total Harmonic Distortion + Noise (THD+N) is a significant figure of merit for audio DACs, since it takes into account both harmonic distortion and all noise sources within a specified measurement bandwidth. The true rms value of the distortion and noise is referred to as THD+N. Figure 17 shows the test setup for THD+N measurements.

For the PCM1748, THD+N is measured with a full-scale, 1kHz digital sine wave as the test stimulus at the input of the DAC. The digital generator is set to a 24-bit audio word length and a sampling frequency of 44.1kHz or 96kHz. The digital generator output is taken from the unbalanced S/PDIF connector of the measurement system. The S/PDIF data is transmitted via a coaxial cable to the digital audio receiver on the DEM-DAI1748 demo board. The receiver is then configured to output 24-bit data in either I²S or left-justified data format. The DAC audio interface format is programmed to match the receiver output format. The analog output is then taken from the DAC post filter and connected to the analog analyzer input of the measurement system. The analog input is band limited using filters resident in the analyzer. The resulting THD+N is measured by the analyzer and displayed by the measurement system.

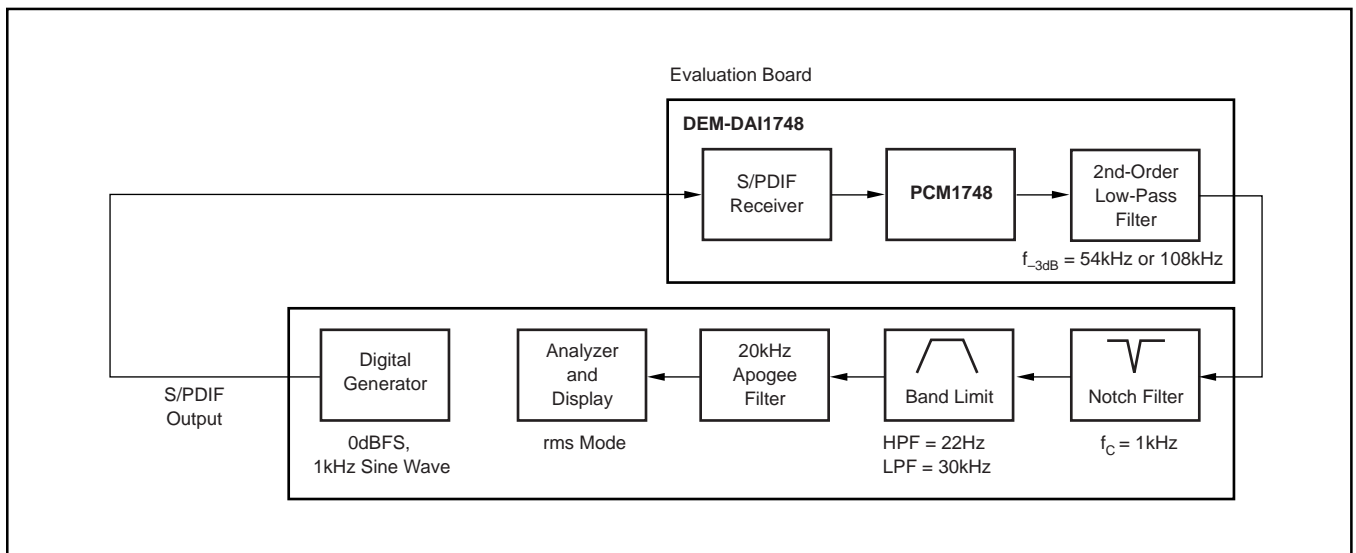


FIGURE 17. Test Setup for THD+N Measurements.

Dynamic Range

Dynamic range is specified as A-Weighted, THD+N measured with a -60dBFS , 1kHz digital sine wave stimulus at the input of the DAC. This measurement is designed to give a good indicator of how the DAC will perform given a low-level input signal.

The measurement setup for the dynamic range measurement is shown in Figure 18, and is similar to the THD+N test setup discussed previously. The differences include the band limit filter selection, the additional A-Weighting filter, and the -60dBFS input level.

Idle Channel Signal-to-Noise Ratio

The SNR test provides a measure of the noise floor of the DAC. The input to the DAC is all “0”s data, and the DAC’s Infinite Zero Detect Mute function must be disabled (default condition at power up for the PCM1748). This ensures that the delta-sigma modulator output is connected to the output amplifier circuit so that idle tones (if present) can be observed and effect the SNR measurement. The dither function of the digital generator must also be disabled to ensure an all “0”s data stream at the input of the DAC. The measurement setup for SNR is identical to that used for dynamic range, with the exception of the input signal level (see the notes provided in Figure 18).

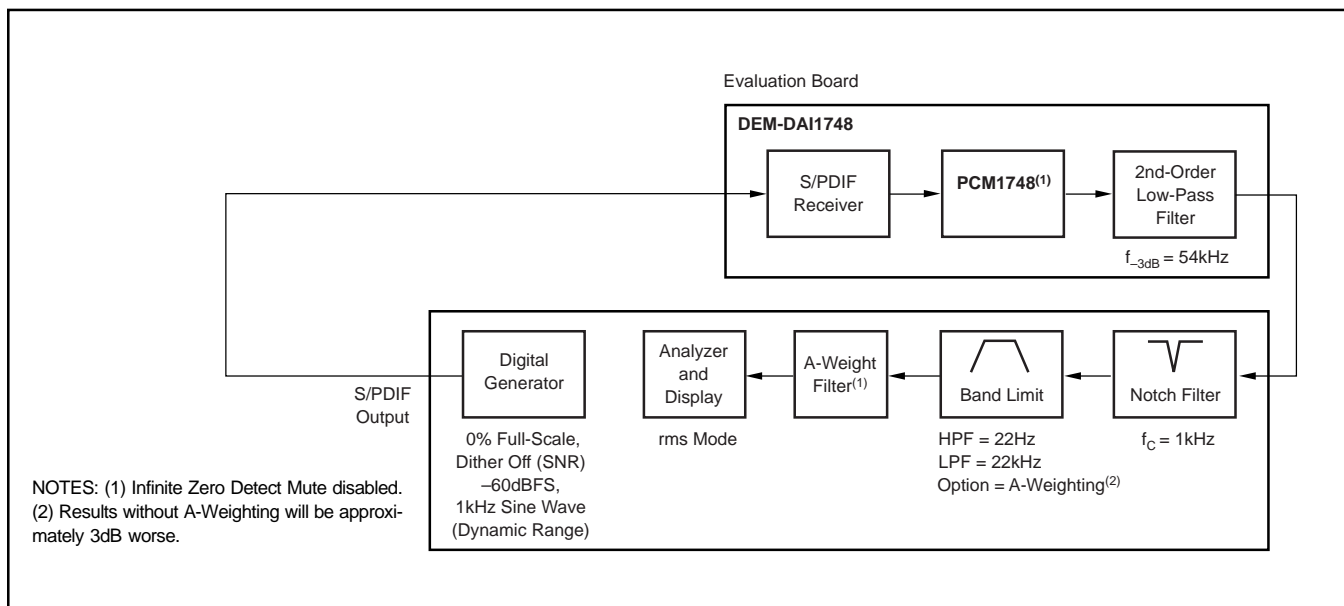


FIGURE 18. Test Setup for Dynamic Range and SNR Measurements.

PACKAGING INFORMATION

Orderable Device	Status ⁽¹⁾	Package Type	Package Drawing	Pins	Package Qty	Eco Plan ⁽²⁾	Lead/Ball Finish	MSL Peak Temp ⁽³⁾
PCM1748E	ACTIVE	SSOP/ QSOP	DBQ	16	98	None	CU SNPB	Level-1-235C-UNLIM
PCM1748E/2K	ACTIVE	SSOP/ QSOP	DBQ	16	2000	None	CU SNPB	Level-1-235C-UNLIM
PCM1748EG/2K	ACTIVE	SOIC	D	16		Pb-Free (RoHS)	CU SNBI	Level-1-260C-UNLIM
PCM1748KE	ACTIVE	SSOP/ QSOP	DBQ	16	98	None	CU SNPB	Level-1-235C-UNLIM
PCM1748KE/2K	ACTIVE	SSOP/ QSOP	DBQ	16	2000	None	CU SNPB	Level-1-235C-UNLIM

⁽¹⁾ The marketing status values are defined as follows:

ACTIVE: Product device recommended for new designs.

LIFEBUY: TI has announced that the device will be discontinued, and a lifetime-buy period is in effect.

NRND: Not recommended for new designs. Device is in production to support existing customers, but TI does not recommend using this part in a new design.

PREVIEW: Device has been announced but is not in production. Samples may or may not be available.

OBsolete: TI has discontinued the production of the device.

⁽²⁾ Eco Plan - May not be currently available - please check <http://www.ti.com/productcontent> for the latest availability information and additional product content details.

None: Not yet available Lead (Pb-Free).

Pb-Free (RoHS): TI's terms "Lead-Free" or "Pb-Free" mean semiconductor products that are compatible with the current RoHS requirements for all 6 substances, including the requirement that lead not exceed 0.1% by weight in homogeneous materials. Where designed to be soldered at high temperatures, TI Pb-Free products are suitable for use in specified lead-free processes.

Green (RoHS & no Sb/Br): TI defines "Green" to mean "Pb-Free" and in addition, uses package materials that do not contain halogens, including bromine (Br) or antimony (Sb) above 0.1% of total product weight.

⁽³⁾ MSL, Peak Temp. -- The Moisture Sensitivity Level rating according to the JEDEC industry standard classifications, and peak solder temperature.

Important Information and Disclaimer: The information provided on this page represents TI's knowledge and belief as of the date that it is provided. TI bases its knowledge and belief on information provided by third parties, and makes no representation or warranty as to the accuracy of such information. Efforts are underway to better integrate information from third parties. TI has taken and continues to take reasonable steps to provide representative and accurate information but may not have conducted destructive testing or chemical analysis on incoming materials and chemicals. TI and TI suppliers consider certain information to be proprietary, and thus CAS numbers and other limited information may not be available for release.

In no event shall TI's liability arising out of such information exceed the total purchase price of the TI part(s) at issue in this document sold by TI to Customer on an annual basis.

IMPORTANT NOTICE

Texas Instruments Incorporated and its subsidiaries (TI) reserve the right to make corrections, modifications, enhancements, improvements, and other changes to its products and services at any time and to discontinue any product or service without notice. Customers should obtain the latest relevant information before placing orders and should verify that such information is current and complete. All products are sold subject to TI's terms and conditions of sale supplied at the time of order acknowledgment.

TI warrants performance of its hardware products to the specifications applicable at the time of sale in accordance with TI's standard warranty. Testing and other quality control techniques are used to the extent TI deems necessary to support this warranty. Except where mandated by government requirements, testing of all parameters of each product is not necessarily performed.

TI assumes no liability for applications assistance or customer product design. Customers are responsible for their products and applications using TI components. To minimize the risks associated with customer products and applications, customers should provide adequate design and operating safeguards.

TI does not warrant or represent that any license, either express or implied, is granted under any TI patent right, copyright, mask work right, or other TI intellectual property right relating to any combination, machine, or process in which TI products or services are used. Information published by TI regarding third-party products or services does not constitute a license from TI to use such products or services or a warranty or endorsement thereof. Use of such information may require a license from a third party under the patents or other intellectual property of the third party, or a license from TI under the patents or other intellectual property of TI.

Reproduction of information in TI data books or data sheets is permissible only if reproduction is without alteration and is accompanied by all associated warranties, conditions, limitations, and notices. Reproduction of this information with alteration is an unfair and deceptive business practice. TI is not responsible or liable for such altered documentation.

Resale of TI products or services with statements different from or beyond the parameters stated by TI for that product or service voids all express and any implied warranties for the associated TI product or service and is an unfair and deceptive business practice. TI is not responsible or liable for any such statements.

Following are URLs where you can obtain information on other Texas Instruments products and application solutions:

Products		Applications	
Amplifiers	amplifier.ti.com	Audio	www.ti.com/audio
Data Converters	dataconverter.ti.com	Automotive	www.ti.com/automotive
DSP	dsp.ti.com	Broadband	www.ti.com/broadband
Interface	interface.ti.com	Digital Control	www.ti.com/digitalcontrol
Logic	logic.ti.com	Military	www.ti.com/military
Power Mgmt	power.ti.com	Optical Networking	www.ti.com/opticalnetwork
Microcontrollers	microcontroller.ti.com	Security	www.ti.com/security
		Telephony	www.ti.com/telephony
		Video & Imaging	www.ti.com/video
		Wireless	www.ti.com/wireless

Mailing Address: Texas Instruments
Post Office Box 655303 Dallas, Texas 75265